

1

2

3

4

Notes: (Unless Otherwise Specified)

- 1. Waterproof Rate: IP67.
- 2. Recommend Panel Thickness : 0.8 to 3.0 mm.
- 3. Recommend Torque: 9~10 Kgf-cm.
- 4. Mating Cap P/N: GT1C1210X2.
- 5. RoHS Compliant.
- 6. 產品採用無Logo PE袋單PCS包裝, 並將標籤貼於袋外.

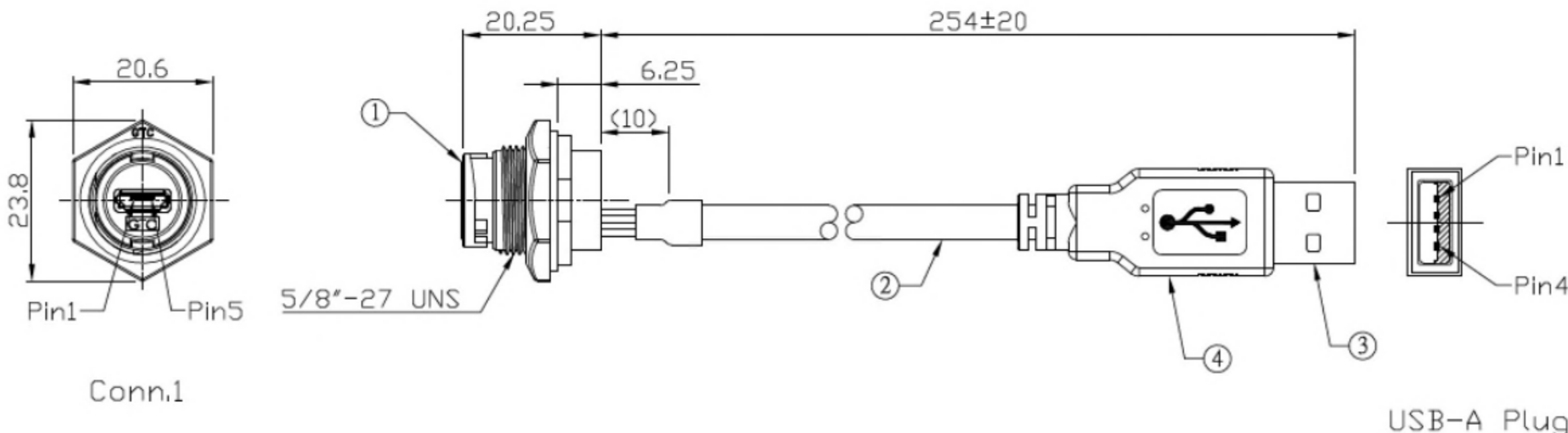
RR-11A200-05-10\_REV:XX\_QTY:1PCS  
**LOT: XXXX**  
**Made in China**

- 7. 每25PCS產品再用防水袋包裝, 並將標籤貼於袋外.

RR-11A200-05-10\_REV:XX\_QTY:25PCS  
**LOT: XXXX**  
**Made in China**

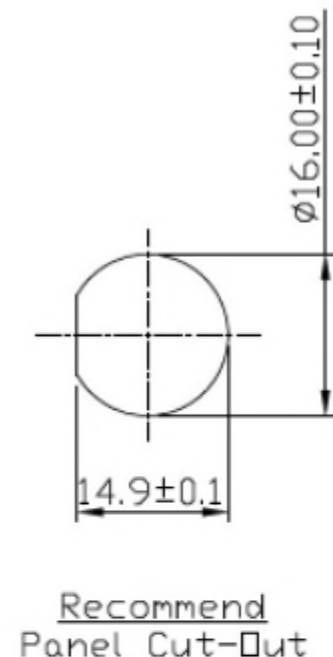
- 8. 標籤上的REV: 請依照成品圖面版本.
- 9. 不可使用夾鍊袋.

REV	ECN#	DESCRIPTION OF REVISION	DRAW BY DATE	CHECK BY DATE	APPROVE BY DATE
01			Lucas 07/21/14	Ray 07/21/14	Ray 07/21/14



GTC  
 R&D DEPT. ISSUE  
 AUG.04.2014  
 ONLY FOR  
 RELEASE

Item	Part Name	Material / Finish	Qty
4	Over Mold	PVC Color: Black	1
3	USB-A Plug	Housing: Thermoplastic, Color: Black Contacts: Copper Alloy, Finish: Au Plated Shell: Copper Alloy, Finish: Ni Plated	1
2	Cable	UL2725 1P*28AWG+2C*24AWG+Al/My+D+B OD=5.0mm, Color: Black	1
1	Micro USB-AB Plastic C2 Panel	GT Contact P/N: GT11A200-05-XX	1



TITLE		DRAWING NUMBER			REV.			
Mirco USB-AB Plastic C2 Panel Jack Lock With USB-A Plug		RR-11A200-05-10			01			
THIRD ANGLE PROJECTION	SIZE	SCALE	DRAW / DATE	CHECK / DATE	APPROVE / DATE	TOLERANCES	UNIT	SHEET
	B	1:1	Lucas 07/21/14	Ray 07/21/14	Ray 07/21/14	X.X ± 0.5 X.XX ± 0.2	X.XXX ± 0.05 ANGLES ± 1°	mm 1/1

**www.USBFireWire.com**

NOTICE OF PROPRIETARY PROPERTY:  
 THE INFORMATION CONTAINED HEREIN IS THE PROPRIETARY PROPERTY OF USBFIREWIRE.COM THE POSSESSOR AGREES TO THE FOLLOWING:  
 (d) TO MAINTAIN THIS DOCUMENT IN CONFIDENCE  
 (d) NOT TO REPRODUCE OR COPY IT  
 (d) NOT TO REVEAL OR PUBLISH IT IN WHOLE OR PART  
 (d) ALL RIGHTS RESERVED

1

2

3

4