

1

2

3

4

Notes: (Unless Otherwise Specified)

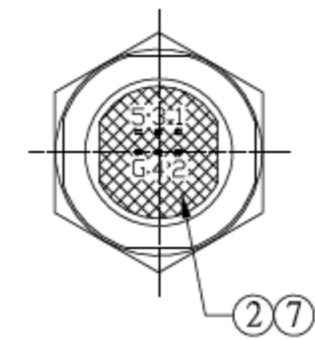
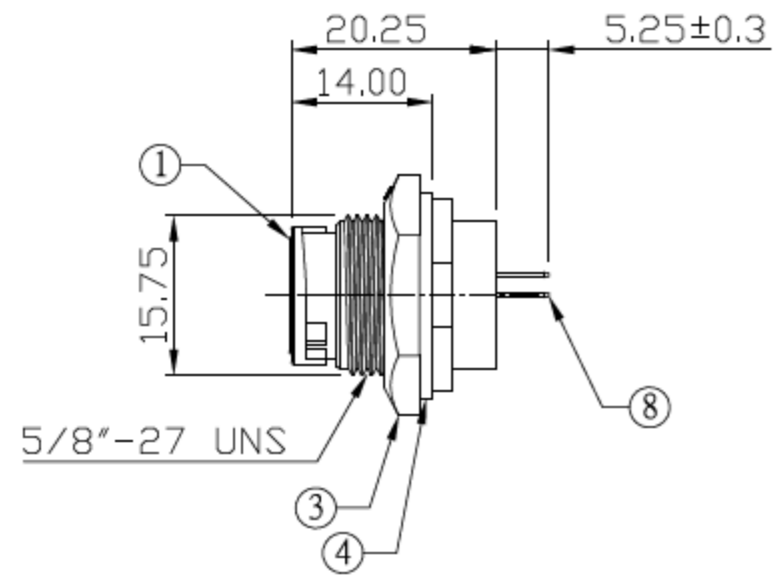
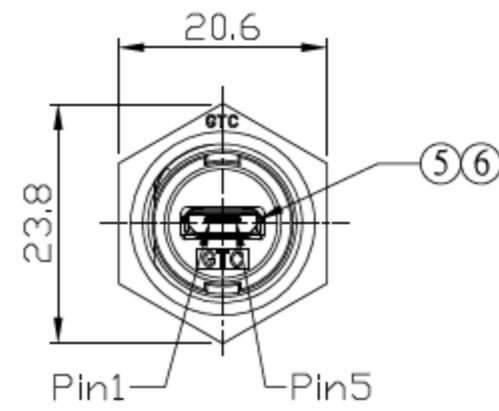
- 1. Waterproof Rate: IP68.
- 2. Recommend Panel Thickness : 0.8 to 3.0 mm.
- 3. Recommend Torque: 9~10 Kgf-cm.
- 4. Mating Cap P/N: GT1C1210X2.
- 5. RoHS Compliant.
- 6. 產品採用USB 10PCS吸塑盒包裝;並於吸塑盒上蓋貼上標籤.

RR-11A200-10_REV:XX_QTY:10PCS
LOT: XXXX
Made in China

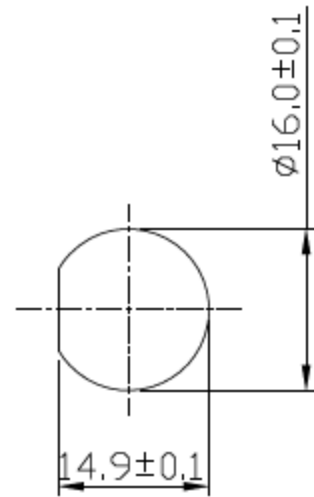
7. 標籤上的REV: 請依照成品圖面版本.

REV	ECN#	DESCRIPTION OF REVISION	DRAW BY DATE	CHECK BY DATE	APPROVE BY DATE
01			Jimmy 08/09/16	Lucas 08/09/16	Ray 08/09/16

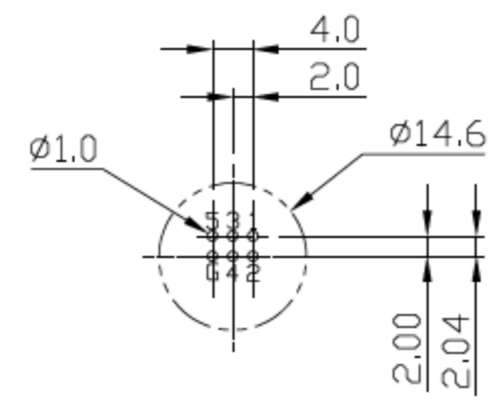
GTC
 R&D DEPT. ISSUE
 AUG.10.2016
 ONLY FOR
 RELEASE



8	Pin Header	Housing: Thermoplastic, Color: Black Contacts: Copper Alloy, Finish: Au Plated	1
7	Glue	Epoxy Color: Black	
6	Micro USB-AB Receptacle	Housing: Thermoplastic, Color: Black Contacts: Copper Alloy, Finish: Au Plated Shell: Copper Alloy, Finish: Ni Plated	1
5	PCB	FR-4 Color: -	1
4	Gasket	Silicone Color: Black	1
3	Hex Nut	Thermoplastic Color: Black	1
2	Hold	Silicone Color: Black	1
1	Housing	Thermoplastic Color: Black	1
Item	Part Name	Material / Finish	Q'ty



Recommend Panel Cut-Out



Recommend PCB Layout

www.USBFireWire.com

TITLE					DRAWING NUMBER			REV.
Mirco USB-AB Plastic C2 Panel Jack Lock Dip					RR-11A200-10			01
THIRD ANGLE PROJECTION	SIZE	SCALE	DRAW / DATE	CHECK / DATE	APPROVE / DATE	TOLERANCES	UNIT	SHEET
	B	1:1	Jimmy 08/09/16	Lucas 08/09/16	Ray 08/09/16	X.X ± 0.5 X.XX ± 0.2	mm	1/1
						X,XXX ± 0.05 ANGLES ± 1°		

NOTICE OF PROPRIETARY PROPERTY
 THE INFORMATION CONTAINED HEREIN IS THE PROPRIETARY PROPERTY OF GT CONTACT CO.,LTD. THE POSSESSOR AGREES TO THE FOLLOWING:
 (1) TO MAINTAIN THIS DOCUMENT IN CONFIDENCE
 (2) NOT TO REPRODUCE OR COPY IT
 (3) NOT TO REVEAL OR PUBLISH IT IN WHOLE OR PART
 (4) ALL RIGHTS RESERVED

1

2

3

4