

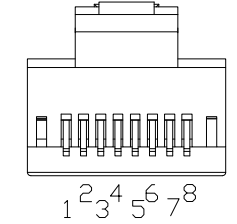
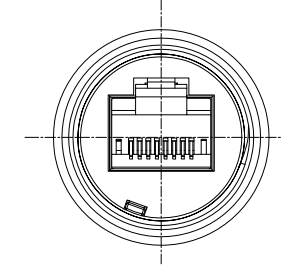
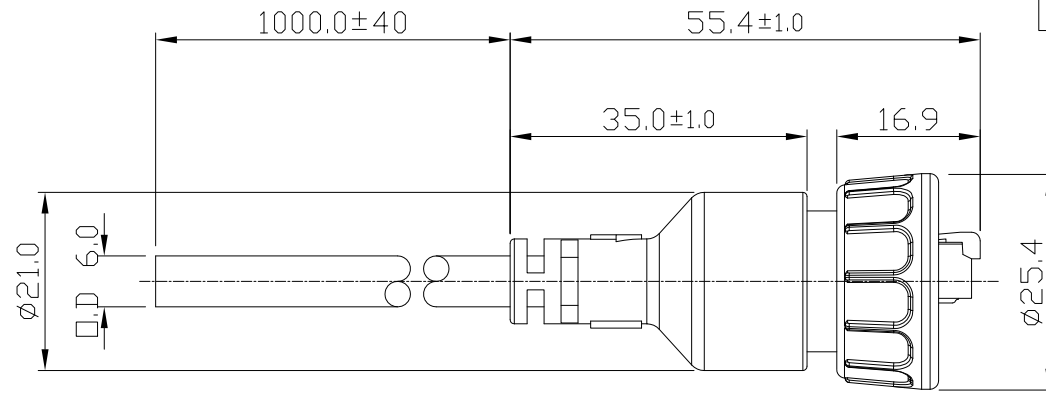
4

3

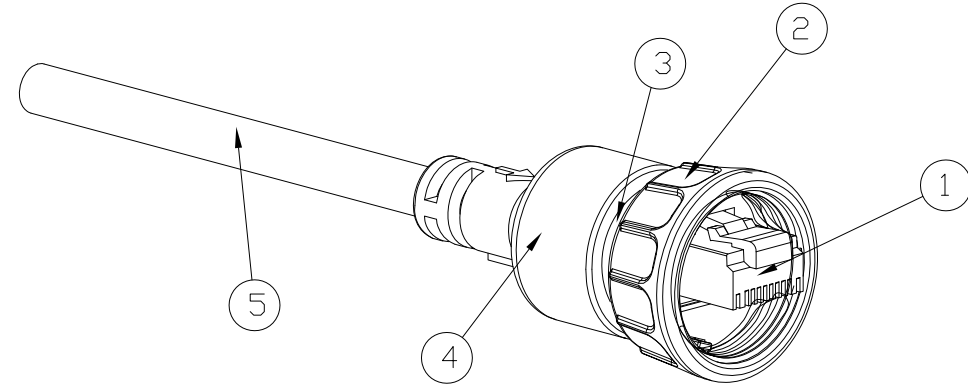
2

1

REV	ECN#	DESCRIPTION OF REVISION
02		REDRAWING
		121908


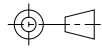


1 2 3 4 5 6 7 8
RJ45 Pin Assignment



RJ45 SHIELDED		
Pin	Name	Function
1	TX D1+	TRANCEIVE DATA+
2	TX D1-	TRANCEIVE DATA-
3	RX D2+	RECEIVE DATA+
4	BI D3+	BI DIRECTIONAL DATA+
5	BI D3-	BI DIRECTIONAL DATA-
6	RX D2-	RECEIVE DATA-
7	BI D4+	BI DIRECTIONAL DATA+
8	BI D4-	BI DIRECTIONAL DATA-

No.	DESCRIPTION	Material
1	RJ45 MALE PLUG	Housing:thermal plastic;Black Contacts:Copper alloy;Gold plating
2	LOCK NUT	Thermal plastic;Black
3	PLUG HOKDER	Thermal plastic;Black
4	OVER MOLDING	Thermal plastic;Black
5	CABLE	Thermal plastic;Black

METRIC		 USB FIREWIRE.com <small>THE INFORMATION CONTAINED HEREIN IS THE PROPRIETARY INFORMATION OF RR BUSINESS VENTURES, LLC. THE POSSESSOR AGREES TO THE FOLLOWING</small> 1. MAINTAIN THIS DOCUMENT IN CONFIDENCE 2. NOT TO REPRODUCE OR COPY IT 3. NOT TO REVEAL OR PUBLISH IT IN WHOLE OR IN PART COPYRIGHT © 2019
DRAFTER KAREN	DATE 12/19/08	
APPROVED ROBBIE	DATE 12/19/08	TITLE SIZE 3 RJ45 SHIELDED PLASTIC SCREW,PLUG 180
DIMENSIONS ARE IN MILLIMETER TOLERANCES XX ±0.5 X.XX ±0.20 X.XXX ±0.05 ANGLES ±2°		DRAWING NUMBER RR- 125320- 02- XX
 THIRD ANGLE PROJECTION		REV. 02
SIZE B		SCALE 1:1
		SHT 1 OF 1

4

3

2