

1

2

3

4

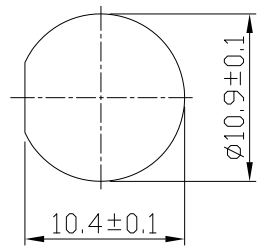
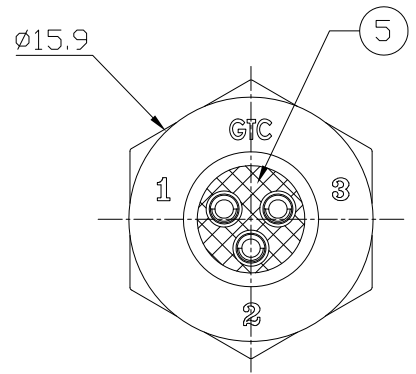
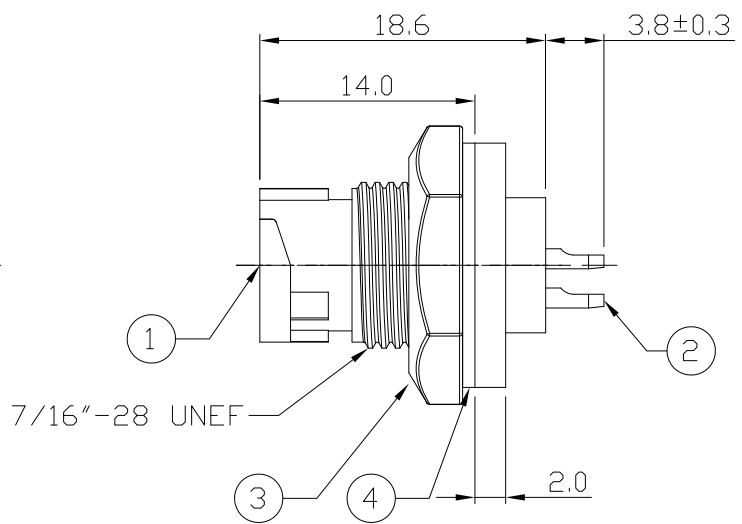
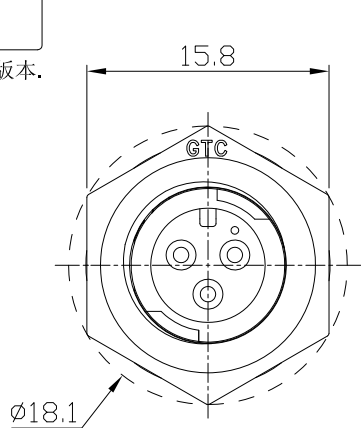
Notes: (Unless Otherwise Specified)

- 1. Waterproof Rate: IP68.
- 2. Recommend Panel Thickness: 0.8 to 3.0 mm.
- 3. Recommend Torque: 6~7 Kgf-cm.
- 4. Mating Cap P/N: GT1C5121X2.
- 5. RoHS Compliant.
- 6. 產品採用USB 10PCS吸塑盒包裝,並於吸塑盒上蓋貼上標籤.

RR-151210-02030_REV:XX_QTY:10PCS

LOT: XXXX
Made in China

7. 標籤上的REV: 請依照成品圖面版本.



Recommended
Panel Cut-Out



5	Glue	Epoxy Color: Black	
4	Gasket	Silicone Color: Black	1
3	Hex Nut	Thermoplastic Color: Black	1
2	Contacts	Copper Alloy Finish: Au Plated	3
1	Housing	Thermoplastic Color: Black	1
Item	Part Name	Material / Finish	Q'ty

TITLE C1 5A 3P Panel Male Lock Solder						DRAWING NUMBER RR-151210-02030			REV. A0		
THIRD ANGLE PROJECTION		SIZE B	SCALE 1:1	DRAW / DATE Joyce 09/21/17	CHECK / DATE Lucas 09/21/17	APPROVE / DATE Ray 09/21/17	TOLERANCES X.X ± 0.5 X.XX ± 0.2		ANGLES X.XXX ± 0.05 ± 1°	UNIT mm	SHEET 1/1

THE INFORMATION CONTAINED HEREIN IS PROPRIETARY AND CONFIDENTIAL TO RR BUSINESS VENTURES, LLC. THE POSSESSOR AGREES TO THE FOLLOWING

1. MAINTAIN THIS DOCUMENT IN CONFIDENCE
2. NOT TO REPRODUCE OR COPY IT
3. NOT TO REVEAL OR PUBLISH IT IN WHOLE OR PART

1

2

3

4