

1

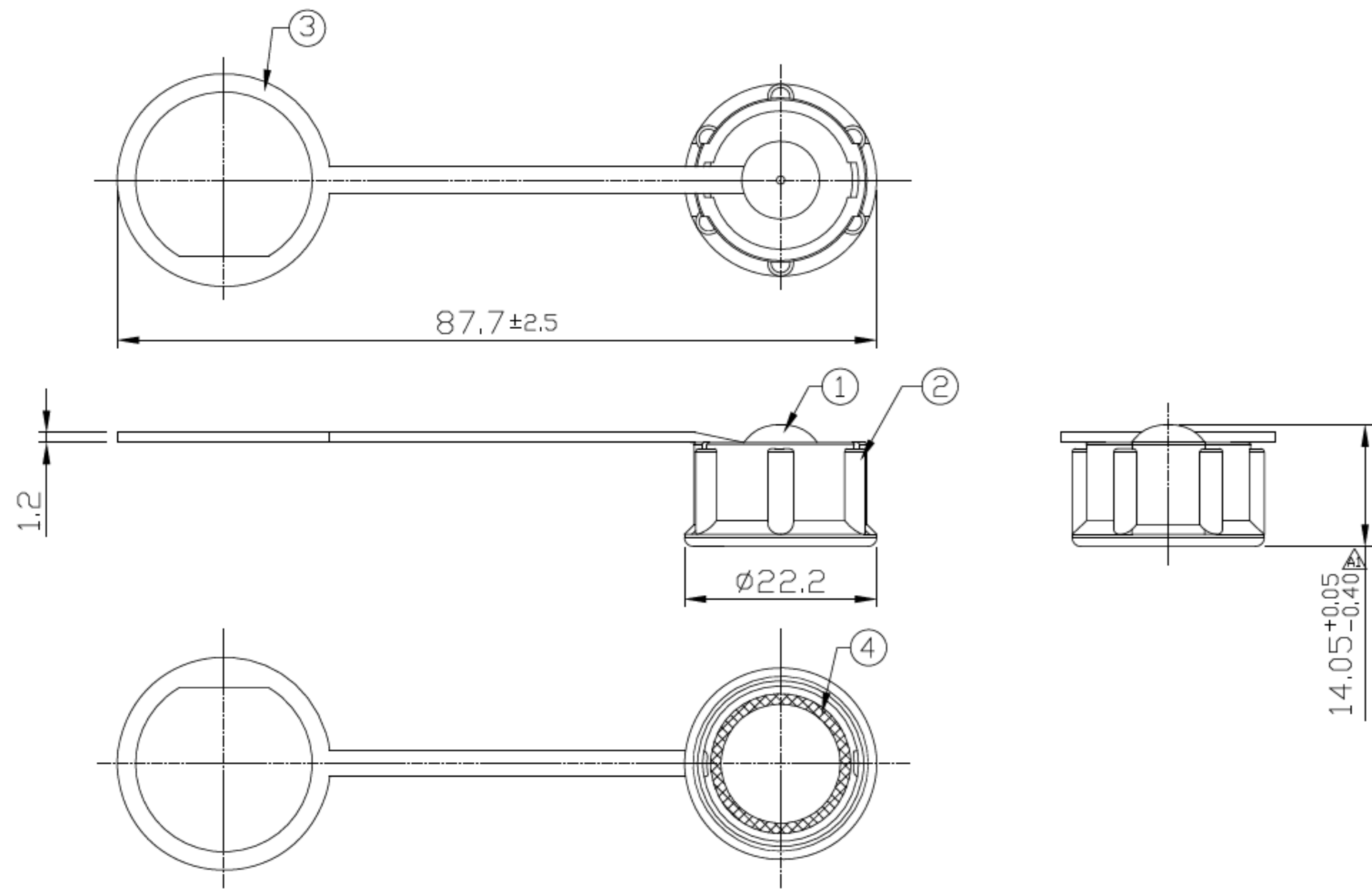
2

3

4

Notes: (Unless Otherwise Specified)  
 1. Waterproof Rate : IP67.  
 2. RoHS Compliance.

REV	ECN#	DESCRIPTION OF REVISION	DRAW BY DATE	CHECK BY DATE	APPROVE BY DATE
A2		Modfy Drawing	Lucas 03/18/11	Ray 03/18/11	Ray 03/18/11



Item	Part Name	Material / Finish	Q'TY
4	D-Ring	Silicone Color: Red	1
3	Rubber Chain	TPE Color: Black	1
2	Lock Cap	Thermal Plastic Color: Black	1
1	Plastic Rivet	Thermal Plastic Color: Black	1

www.USBFireWire.com

TITLE Cap Plastic For C3 Lock Cable End With Rubber Chain				DRAWING NUMBER RR-1C532122			REV. A2	
THIRD ANGLE PROJECTION	SIZE B	SCALE 1:1	DRAW / DATE Karen 07/16/09	CHECK / DATE Ray 07/16/09	APPROVE / DATE Ray 07/16/09	TOLERANCES X.X ± 0.5 X.XX ± 0.2	UNIT mm	SHEET 1/1

NOTICE OF PROPRIETARY PROPERTY  
 THE INFORMATION CONTAINED HEREIN IS THE PROPRIETARY PROPERTY OF GT CONTACT CO., LTD. THE POSSESSOR AGREES TO THE FOLLOWING:  
 (1) TO MAINTAIN THIS DOCUMENT IN CONFIDENCE  
 (2) NOT TO REPRODUCE OR COPY IT  
 (3) NOT TO REVEAL OR PUBLISH IT IN WHOLE OR PART  
 (4) ALL RIGHTS RESERVED

1

2

3

4