
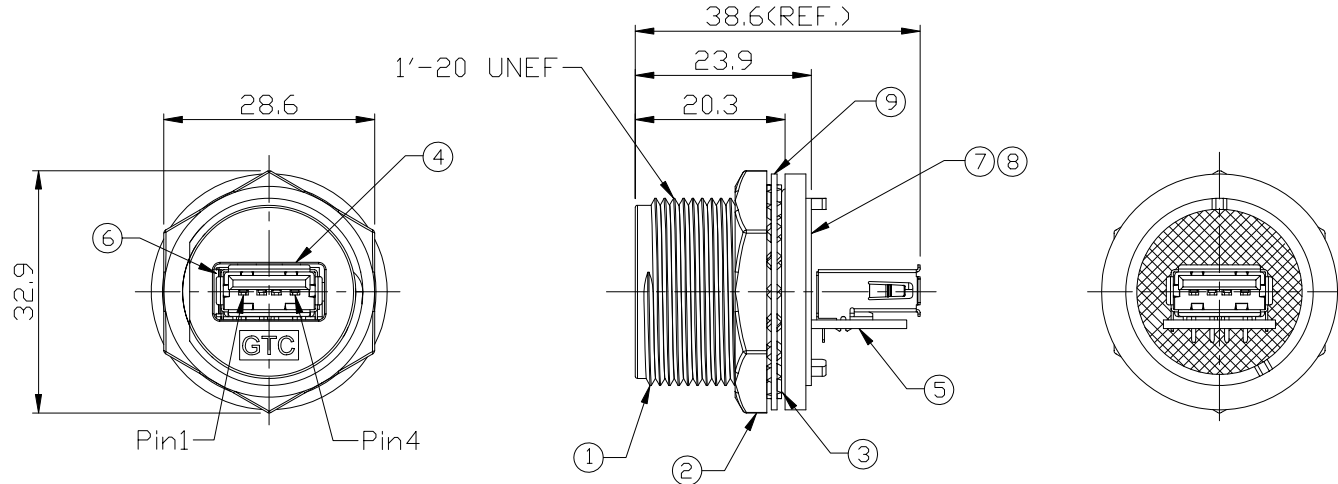


Notes: (Unless Otherwise Specified)

1. Waterproof Rate: IP68.
2. Recommend Panel Thickness: 0.8 to 8.0 mm.
3. Recommend Torque: 19~20 Kgf-cm.
4. Mating Cap P/N: **RR-1C543122**
5. RoHS Compliant.

REV	ECN#	DESCRIPTION OF REVISION	DRAW BY DATE	CHECK BY DATE	APPROVE BY DATE
A0		Mass Production	Joyce 07/25/12	Lucas 07/25/12	Ray 07/25/12
A1	ECN-121114	Modify Label Type & Packing Q'ty 	Joyce 11/21/12	Lucas 11/21/12	Ray 11/21/12

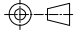


9	Metal Washer	Stainless Finish: —	1
8	Glue	Epoxy Color: Black	1
7	Holder	Thermoplastic Color: Black	1
6	EMI Shielded Plate	Copper Alloy Finish: Ni Plated	1
5	PCB	FR-4 Color: —	1
4	USB-A Receptacle	Housing: Thermoplastic, Color: Black	2
4		Contacts: Copper Alloy, Finish: Au Plated	
4		Shell: Copper Alloy, Finish: Ni Plated	
3	O-Ring	Silicone Color: Red	1
2	Hex Nut	Zn Alloy Finish: Ni Plated	1
1	Housing	Zn Alloy Finish: Ni Plated	1
Item	Part Name	Material / Finish	Q'ty

DOC.CENTER.ISSUE
NOV.29.2012
ONLY FOR
RELEASE

www.USBFireWire.com

NOTICE OF PROPRIETARY PROPERTY:
THE INFORMATION CONTAINED HEREIN IS THE PROPRIETARY PROPERTY OF USBFIREWIRE.COM THE POSSESSOR AGREES TO THE FOLLOWING:
(1) TO MAINTAIN THIS DOCUMENT IN CONFIDENCE
(2) NOT TO REPRODUCE OR COPY IT
(3) NOT TO REVEAL OR PUBLISH IT IN WHOLE OR PART
(4) ALL RIGHTS RESERVED

TITLE						DRAWING NUMBER			REV.	
USB-A Metal C4 Panel Jack Screw With USB-A Jack						RR-211300-30			A1	
	B	1:1	Joyce 07/25/12	Lucas 07/25/12	Ray 07/25/12	X.X X.XX	± 0.5 ± 0.2	X.XXX ANGLES	± 0.05 ± 1°	mm 1/1
THIRD ANGLE PROJECTION	SIZE	SCALE	DRAW / DATE	CHECK / DATE	APPROVE / DATE	TOLERANCES			UNIT	SHEET