

**NOTES: (UNLESS OTHERWISE SPECIFIED)**

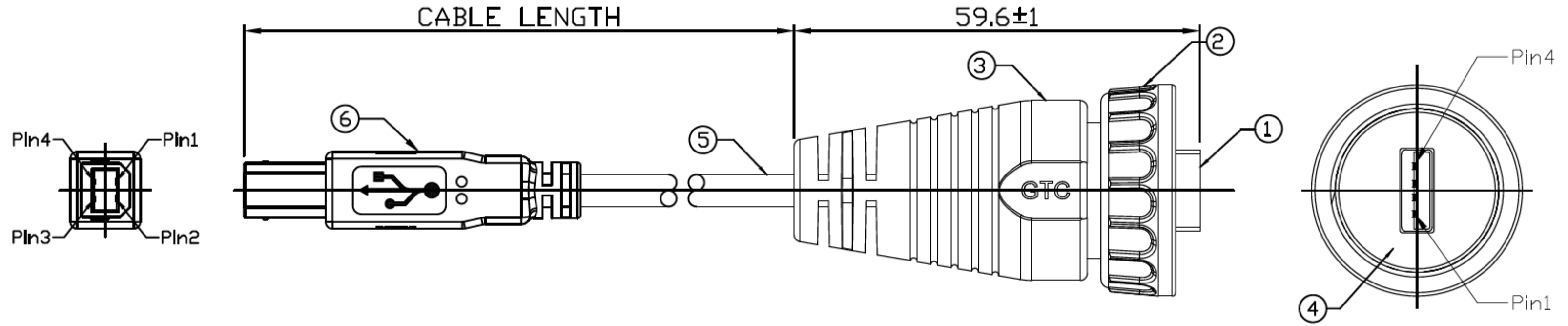
1. MATCHING MATES: RR-211300-XX  
RR-211300-XX-XX
2. CABLE LENGTH TOLERANCE:  
0 to 1M ± 40 mm  
1 to 10M ± 5% mm  
OVER 10 M ± 500 mm
3. RoHS Compliance.

4. PART NO: RR-211320-09-XX

CABLE LENGTH

01:	1 M
02:	2 M
99:	99 M
A0:	100 M

REV	ECN#	DESCRIPTION OF REVISION	DATE
A0		MASS PRODUCTION	09/02/09



DOC. CENTER ISSUE  
SEP. 02. 2009  
ONLY FOR  
RELEASE

ITEM	MATERIAL
1	HOUSING: THERMAL PLASTIC UL94 V-0 COLOR: BLACK CONTACTS: COPPER ALLOY FINISH: GOLD
2	ZN ALLOY FINISH: NICKEL
3	PVC COLOR: BLACK
4	SILICONE COLOR: BLACK
5	PVC COLOR: BLACK
6	HOUSING: THERMAL PLASTIC UL94 V-0 COLOR: BLACK CONTACTS: COPPER ALLOY FINISH: GOLD

1	RED
2	WHITE
3	GREEN
4	BLACK
SHIELD	DRAIN

WIRING DIAGRAM

METRIC		www.USBFireWire.com	
DRAPPER KAREN	DATE 09/02/09	<p>NOTICE OF PROPRIETARY PROPERTY</p> <p>THE INFORMATION CONTAINED HEREIN IS THE PROPRIETARY PROPERTY OF GT CONTACT COLLECTED TO THE POSSESSOR AGREES TO THE FOLLOWING:</p> <p>Ⓞ TO MAINTAIN THIS DOCUMENT IN CONFIDENCE</p> <p>Ⓞ NOT TO REPRODUCE OR COPY IT</p> <p>Ⓞ NOT TO REVEAL OR PUBLISH IT IN WHOLE OR PART</p> <p>Ⓞ ALL RIGHTS RESERVED</p>	
APPROVED RAY	DATE 09/02/09		
<p>DIMENSIONS ARE IN MILLIMETER</p> <p>TOLERANCES</p> <p>X.X ±0.5</p> <p>X.XX ±0.20</p> <p>X.XXX ±0.05</p> <p>ANGLES ±0.5°</p> <p>DO NOT SCALE DRAWINGS</p>		<p>TITLE</p> <p>Zn ALLOY USB-A CABLE END CONNECTOR + STANDARD CABLE + OVER MOLDED STANDARD (NON-WATERPROOF) USB-B PLUG</p>	
<p>THIRD ANGLE PROJECTION</p>		<p>DRAWING NUMBER</p> <p>RR-211320-09-XX</p>	<p>REV.</p> <p>A0</p>
<p>SIZE</p> <p>B</p>		<p>SCALE</p> <p>1:1</p>	<p>SHT 1 OF 1</p>