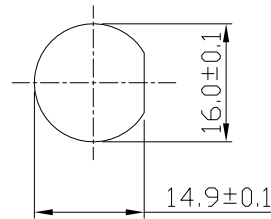
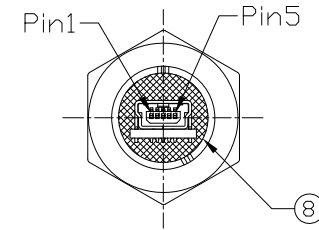
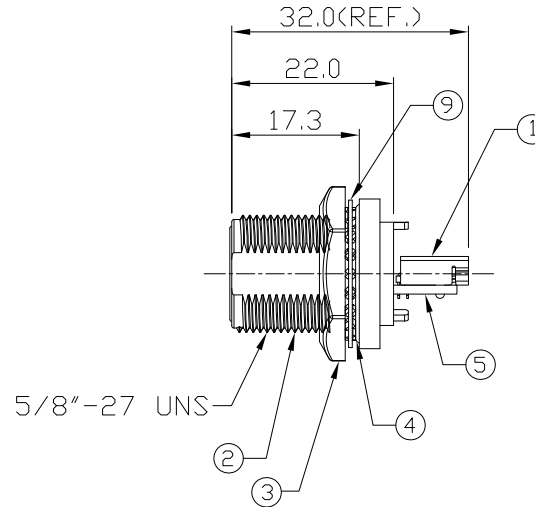
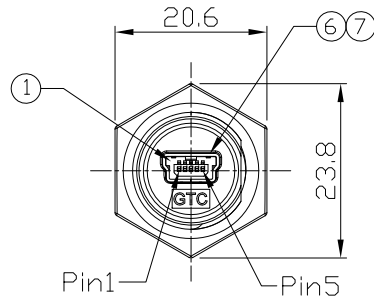


Notes: (Unless Otherwise Specified)

1. Waterproof Rate: IP68.
2. Recommend Panel Thickness: 0.8 to 8.0 mm.
3. Recommend Torque: 19~20 Kgf-cm.
4. Mating Cap P/N: RR-1C523122.
5. RoHS Compliant.

REV	ECN#	DESCRIPTION OF REVISION	DRAW BY DATE	CHECK BY DATE	APPROVE BY DATE
A0		Mass Production	Vicky 01/14/12	Lucas 01/14/12	Ray 01/14/12
A1	ECN-121114	Modify Label Type & Packing Q'ty $\triangle A1$	Joyce 11/21/12	Lucas 11/21/12	Ray 11/21/12
A2	ECN-130208	Modify Panel Cut Out Direction $\triangle A2$	Joyce 02/19/13	Lucas 02/19/13	Ray 02/19/13
A3	ECN-130816	Added Metal Washer $\triangle A3$	Joyce 08/29/13	Lucas 08/29/13	Ray 08/29/13



$\triangle A2$ Front View
Recommend
Panel Cut-Out

DOC.CENTER.ISSUE
AUG.29.2013
ONLY FOR
RELEASE

9	Metal Washer	Stainless Finish: —	1	$\triangle A3$
8	Glue	Epoxy Color: Black		
7	Holder	Thermoplastic Color: Black	1	
6	EMI Shielded Plate	Copper Alloy Finish: Ni Plated	1	
5	PCB	FR-4 Color: —	1	
4	O-Ring	Silicone Color: Red	1	
3	Hex Nut	Zn Alloy Finish: Ni Plated	1	
2	Housing	Zn Alloy Finish: Ni Plated	1	
1	Mini USB-B Receptacle	Housing: Thermoplastic, Color: Black Contacts: Copper Alloy, Finish: Au Plated Shell: Copper Alloy, Finish: Ni Plated	2	
Item	Part Name	Material / Finish	Q'ty	

TITLE						DRAWING NUMBER			REV.	
Mini USB-B Metal C2 Panel Jack Screw With Coupler 180°						RR-214300-30			A3	
	B	1:1	Vicky 01/13/12	Lucas 01/13/12	Ray 01/13/12	X.X ± 0.5 X.XX ± 0.2	X.XXX ± 0.05 ANGLES ± 1°	mm	1/1	
THIRD ANGLE PROJECTION	SIZE	SCALE	DRAW / DATE	CHECK / DATE	APPROVE / DATE	TOLERANCES		UNIT	SHEET	


USB FIREWIRE.com

THE INFORMATION CONTAINED HEREIN IS THE PROPRIETARY INFORMATION OF RR BUSINESS VENTURES, LLC. THE POSSESSOR AGREES TO THE FOLLOWING:
 1. MAINTAIN THIS DOCUMENT IN CONFIDENCE
 2. NOT TO REPRODUCE OR COPY IT
 3. NOT TO REVEAL OR PUBLISH IT IN WHOLE OR IN PART

COPYRIGHT © 2019