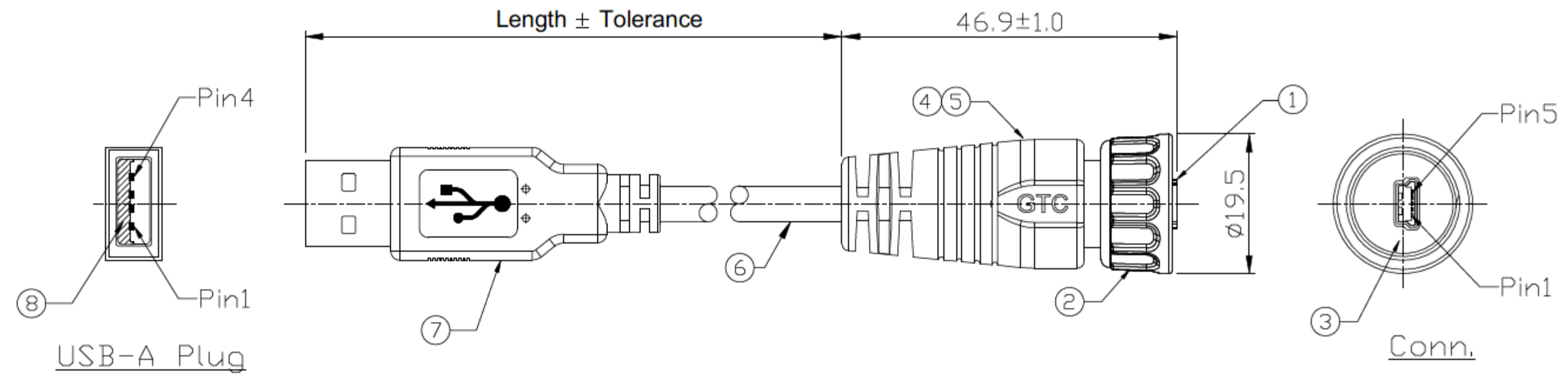


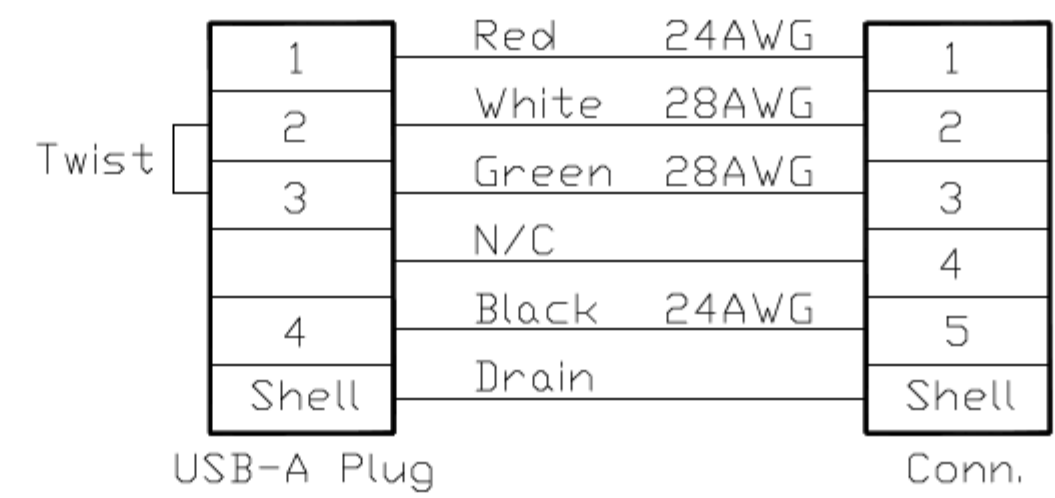
Notes: (Unless Otherwise Specified)

1. Waterproof Rate: IP68.
2. RoHS Compliant.

REV	ECN#	DESCRIPTION OF REVISION	DRAW BY DATE	CHECK BY DATE	APPROVE BY DATE
A0		Mass Production	Joyce 04/08/14	Lucas 04/08/14	Ray 04/08/14



Item	Part Name	Material / Finish	Q'ty
8	USB-A Plug	Housing: Thermoplastic, Color: Black Contacts: Copper Alloy, Finish: Au Plated Shell: Cold Roll Steel, Finish: Ni Plated	1
7	Over Mold	PVC Color: Black	1
6	Cable	UL2725 1P*28AWG+2C*24AWG+Al/My+D+B OD=5.0mm, Color: Black	1
5	Over Mold	PVC Color: Black	1
4	Inner Mold	Thermoplastic Color: Black	1
3	Rubber Pad	Silicone Color: Black	1
2	Screw Nut	Zn Alloy Finish: Ni Plated	1
1	Mini USB-B Plug	Housing: Thermoplastic, Color: Black Contacts: Copper Alloy, Finish: Au Plated Shell: Cold Roll Steel, Finish: Ni Plated	1



DOC.CENTER.ISSUE
APR.08.2014
ONLY FOR
RELEASE

www.USBFireWire.com

TITLE Mini USB-B Metal C2 Cable End Plug Screw With 39 Inches Cable + USB-A Plug				DRAWING NUMBER RR-214320-05-XX			REV. A0	
 THIRD ANGLE PROJECTION	SIZE B	SCALE 1:1	DRAW / DATE Joyce 04/08/14	CHECK / DATE Lucas 04/08/14	APPROVE / DATE Ray 04/08/14	TOLERANCES X.X ± 0.5 X.XX ± 0.2	UNIT mm	SHEET 1/1

NOTICE OF PROPRIETARY PROPERTY:
THE INFORMATION CONTAINED HEREIN IS THE PROPRIETARY PROPERTY OF USBFIREWIRE.COM THE POSSESSOR AGREES TO THE FOLLOWING:
(i) TO MAINTAIN THIS DOCUMENT IN CONFIDENCE
(ii) NOT TO REPRODUCE OR COPY IT
(iii) NOT TO REVEAL OR PUBLISH IT IN WHOLE OR PART
(iv) ALL RIGHTS RESERVED