

Notes: (Unless Otherwise Specified)

- 1. Waterproof Rate: IP68.
- 2. RoHS Compliant.
- 3. 產品採用無Logo PE袋單PCS包裝, 並將標籤貼於袋外

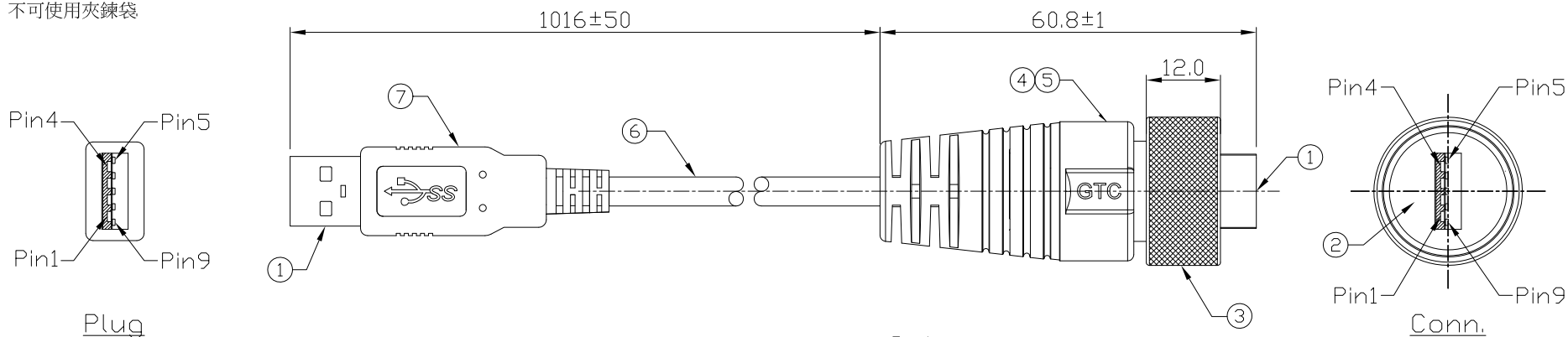
RR-218320-02-40\_REV:XX\_QTY:1PCS  
**LOT: XXXX**  
**Made in China**

- 4. 每25PCS產品再用防水袋包裝, 並將標籤貼於袋外.

RR-218320-02-40\_REV:XX\_QTY:25PCS  
**LOT: XXXX**  
**Made in China**

- 5. 標籤上的REV: 請依照成品圖面版本.
- 6. 不可使用夾鍊袋

REV	ECN#	DESCRIPTION OF REVISION	DRAW BY DATE	CHECK BY DATE	APPROVE BY DATE
01			Karen 12/04/15	Lucas 12/04/15	Ray 12/04/15



Plug	Color	Conn.
1	Red	1
2	White	2
3	Green	3
4	Black	4
8	Blue	5
9	Yellow	6
7	Drain	7
5	Purple	8
6	Orange	9
Shell	Braid	Shell

Wiring Diagram

GTC  
 R&D DEPT. ISSUE  
 DEC.07.2015  
 ONLY FOR  
 RELEASE

Item	Part Name	Material / Finish	Q'ty
7	Over Mold	PVC Color: Black	1
6	Cable	UL2725 (1P*28AWGEAM)*2+(1PR*28AWG+A)+2C*22AWG+AB 85% Color: Black, OD=5.5mm	1
5	Over Mold	PVC Color: Black	1
4	Inner Mold	Thermoplastic Color: Black	1
3	Metal Screw Nut	Copper Alloy Finish: Ni Plated	1
2	Rubber Pad	Silicone Color: Black	1
1	USB-A 3.0 Plug	Housing: Thermoplastic, Color: Blue Contacts: Copper Alloy, Finish: Au Plated Shell: Cold Roll Steel, Finish: Ni Plated	2

TITLE USB-A 3.0 Metal C3 Cable End Plug Screw With 40 Inches Cable + USB-A 3.0 Plug

DRAWING NUMBER RR-218320-02-40 REV. 01

THIRD ANGLE PROJECTION	SIZE	SCALE	DRAW / DATE	CHECK / DATE	APPROVE / DATE	TOLERANCES	UNIT	SHEET
DD NOT SCALE DRAWINGS	B	1:1	Karen 12/04/15	Lucas 12/04/15	Ray 12/04/15	X.X ± 0.5 X.XX ± 0.2 X.XXX ± 0.05 ANGLES ± 1°	mm	1/1

THE INFORMATION CONTAINED HEREIN IS PROPRIETARY AND CONFIDENTIAL TO RR BUSINESS VENTURES, LLC. THE POSSESSOR AGREES TO THE FOLLOWING

1. MAINTAIN THIS DOCUMENT IN CONFIDENCE
2. NOT TO REPRODUCE OR COPY IT
3. NOT TO REVEAL OR PUBLISH IT IN WHOLE OR PART