

Notes: (Unless Otherwise Specified)

- 1. Waterproof Rate: IP68.
- 2. Recommend Panel Thickness: 0.8 to 8.0 mm.
- 3. Recommend Torque: 19~20 Kgf-cm.
- 4. Mating Cap P/N: RR-2C210312.
- 5. RoHS Compliant.
- 6. 產品採用無Logo PE袋單PCS包裝, 並將標籤貼於袋外.

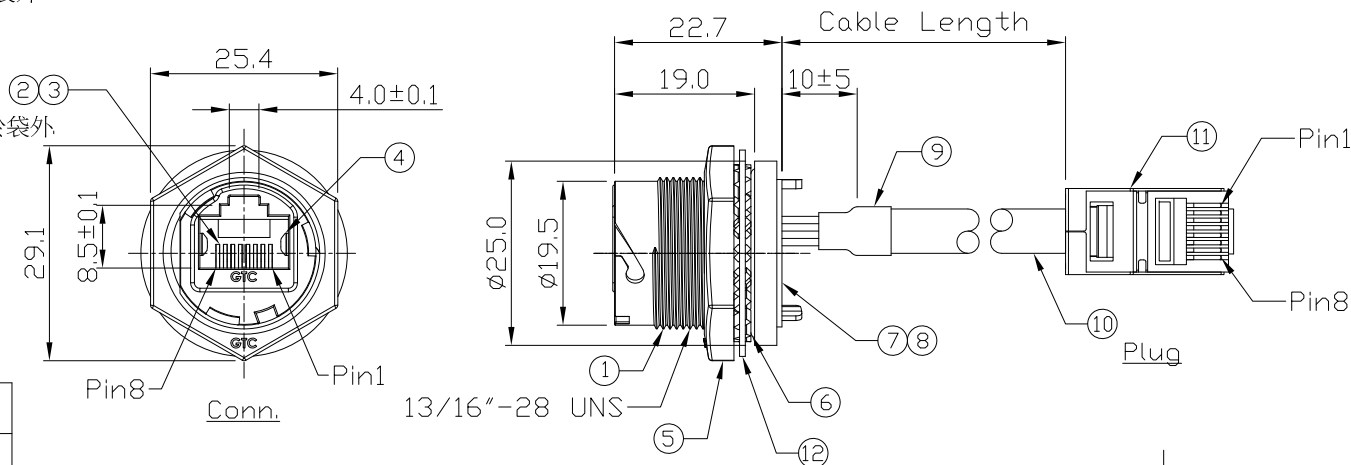
RR-225200-03-XX_REV:XX_QTY:1PCS
LOT: XXXX
Made in China

- 7. 每25PCS產品再用無Logo PE袋包裝, 並將標籤貼於袋外.

RR-225200-03-XX_REV:XX_QTY:25PCS
LOT: XXXX
Made in China

- 8. 標籤上的REV: 請依照成品圖面版本.
- 9. 不可使用夾鍊袋

REV	ECN#	DESCRIPTION OF REVISION	DRAW BY DATE	CHECK BY DATE	APPROVE BY DATE
A1	ECN-121109	Modify Label Type & Packing Q'ty A1	Joyce 11/21/12	Lucas 11/21/12	Ray 11/21/12
A2	ECN-180126	400±10->400±20	Viola 01/26/18	Lucas 01/26/18	Ray 01/26/18

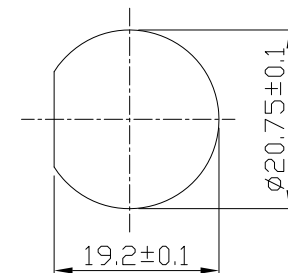


12	Washer	Stainless Finish: —	1
11	RJ45 Plug	Housing: Thermoplastic; Color: Clean Contacts: Copper Alloy; Finish: Au Plated Shell: Cold Roll Steel; Finish: Ni Plated	1
10	Cable	CAT5E 24AWG*4P+Al/My+D Color: Gray, OD=6.0±0.2mm	1
9	Shrink Tube	L=20mm Color: Black	1
8	Glue	Epoxy Color: Black	1
7	PCB	FR-4 Color: —	2
6	O-Ring	Silicone Color: Red	1
5	Hex Nut	Zn Alloy Finish: Ni Plated	1
4	EMI Shielded Plate	Copper Alloy Finish: Ni Plated	2
3	Holder	Thermoplastic Color: Black	1
2	RJ45 Receptacle	Housing: Thermoplastic; Color: Gray Contacts: Copper Alloy; Finish: Au Plated	1
1	Housing	Zn Alloy Finish: Ni Plated	1
Item	Part Name	Material / Finish	Q'TY

GTC
 DOC.CENTER.ISSUE
 OCT.14.2019
 ONLY FOR
 RELEASE



Wiring Diagram



Recommend Panel Cut-Out

A2	RR-225200-03-Z3	300 mm	+25
	RR-225200-03-Z4	400 mm	±20
	Part No.	Cable Length	Tol.

TITLE						DRAWING NUMBER			REV.	
RJ45 Metal C3 Shielded Panel Jack Lock With Cable + Plug						RR-225200-03-ZX			A2	
	B	1:1	Joyce 05/24/12	Lucas 05/24/12	Ray 05/24/12	X.X ± 0.5 X.XX ± 0.2	X.XXX ± 0.05 ANGLES ± 1°	mm	1/1	
THIRD ANGLE PROJECTION	SIZE	SCALE	DRAW / DATE	CHECK / DATE	APPROVE / DATE	TOLERANCES		UNIT	SHEET	

THE INFORMATION CONTAINED HEREIN IS THE PROPRIETARY INFORMATION OF RR BUSINESS VENTURES, LLC. THE POSSESSOR AGREES TO THE FOLLOWING

1. MAINTAIN THIS DOCUMENT IN CONFIDENCE
2. NOT TO REPRODUCE OR COPY IT
3. NOT TO REVEAL OR PUBLISH IT IN WHOLE OR IN PART

COPYRIGHT © 2019