

4

3

2

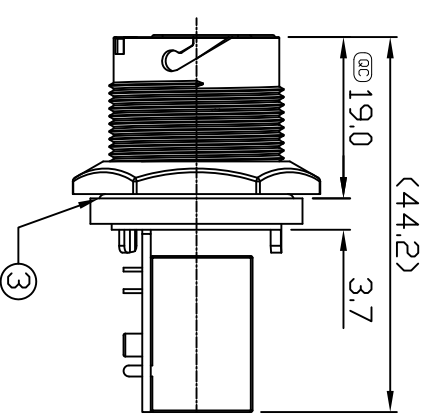
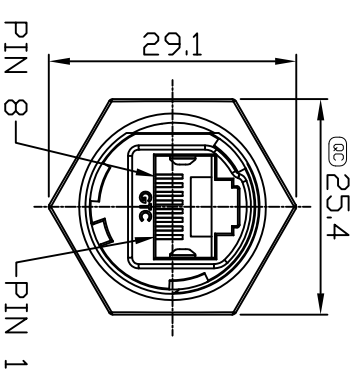
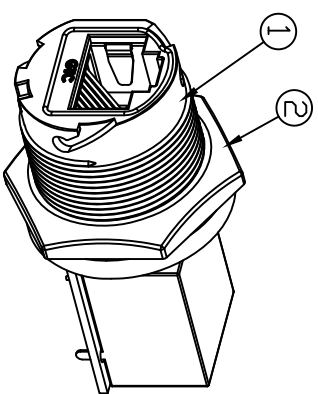
1

D

REV	ECON#	DESCRIPTION OF REVISION	REV.
02		REDRAW	060309

- NOTES: (UNLESS OTHERWISE SPECIFIED)
- ① Critical Dimension.
 - Waterproof Rate : IP68.
 - Panel Thickness : 0.8 to 8.0 mm.
 - HEX Nut Torque: 5kgf-cm Tightening Torque.
 - Matching Mates :GT1225X20-XX-XX
 - Matching CAP P/N :GT1C213022
 - ROHS Compliance.

No.	Component	P/N
1	93225-20030	
2	66225-00010	
3	67225-00110	



GTC
R&D DEPT. ISSUE
JUN.04.2009
ONLY FOR
RELEASE

B

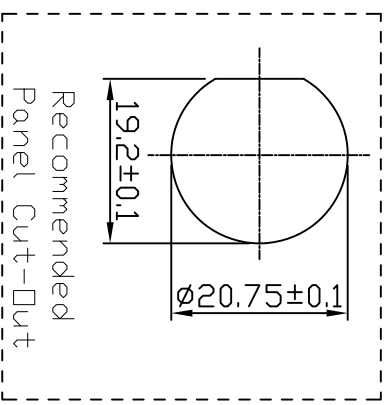
METRIC	
DRAFTER KAREN	DATE 06/03/09
APPROVED RAY	DATE 06/03/09


USB FIREWIRE .com

THE INFORMATION CONTAINED HEREIN IS PROPRIETARY AND CONFIDENTIAL TO R&B BUSINESS VENTURES, LLC. THE USER SHALL NOT DISCLOSE OR REPRODUCE THIS DOCUMENT IN ANY MANNER WITHOUT THE WRITTEN PERMISSION OF R&B BUSINESS VENTURES, LLC.
1. MAINTAIN THIS DOCUMENT IN CONFIDENCE
2. NOT TO REPRODUCE OR COPY IT
3. NOT TO REVEAL OR PUBLISH IT IN WHOLE OR PART

A

<p style="text-align: center;">DIMENSIONS ARE IN MILLIMETER</p> <p style="text-align: center;">TOLERANCES</p> <table border="0"> <tr> <td>XX</td> <td>±0.5</td> </tr> <tr> <td>X.XX</td> <td>±0.20</td> </tr> <tr> <td>X.XXX</td> <td>±0.05</td> </tr> </table> <p>ANGLES ±2° DO NOT SCALE DRAWINGS</p>		XX	±0.5	X.XX	±0.20	X.XXX	±0.05	<p>TITLE</p> <p>SIZE 3 RJ45 SHIELDED Zn ALLOY, LOCK IN LINE WITH JACK<<COUPLER> PANEL 180°</p>
XX	±0.5							
X.XX	±0.20							
X.XXX	±0.05							
<p>DRAWING NUMBER</p> <p>RR-225200-30</p>	<p>REV.</p> <p>02</p>							



Pin	Name	Function
1	TX D1+	TRANCEIVE DATA+
2	TX D1-	TRANCEIVE DATA-
3	RX D2+	RECEIVE DATA+
4	BI D3+	BI DIRECTIONAL DATA+
5	BI D3-	BI DIRECTIONAL DATA-
6	RX D2-	RECEIVE DATA-
7	BI D4+	BI DIRECTIONAL DATA+
8	BI D4-	BI DIRECTIONAL DATA-

4

3

2

<p>THIRD ANGLE PROJECTION</p> 	<p>SIZE</p> <p>B</p>	<p>SCALE</p> <p>1:1</p>	<p>SHT</p> <p>1</p>	<p>OF</p> <p>1</p>
---	----------------------	-------------------------	---------------------	--------------------