

1

2

3

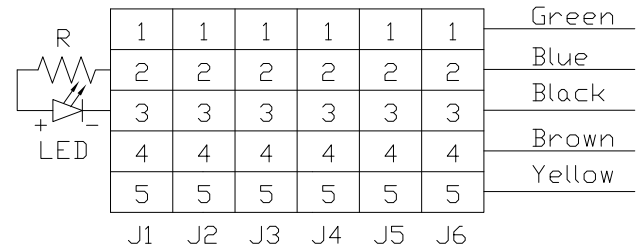
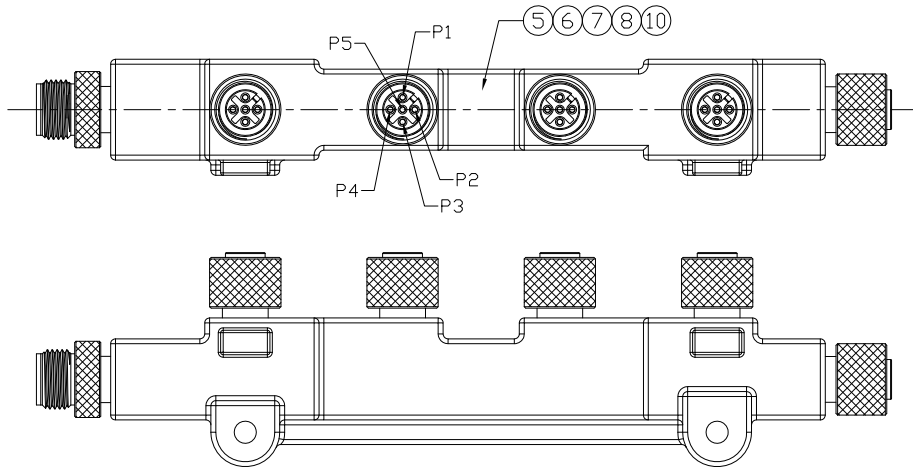
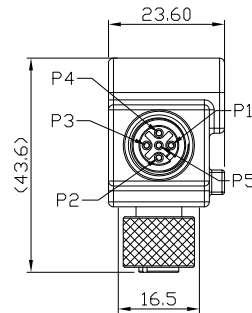
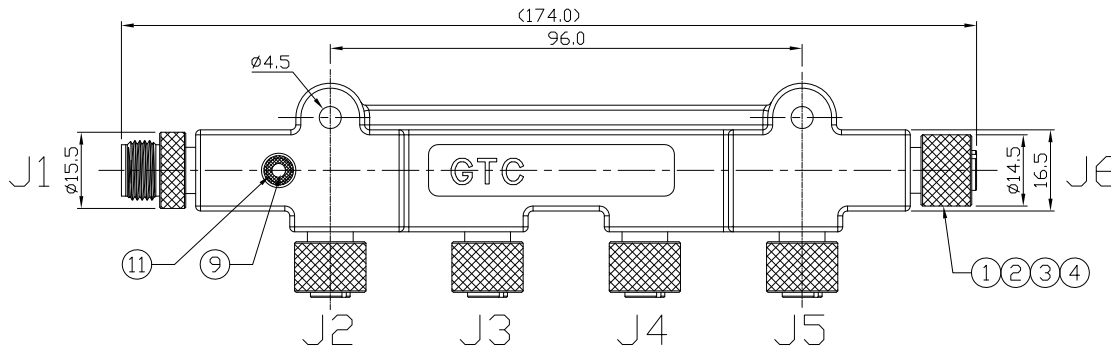
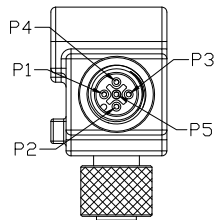
4

Notes: (Unless Otherwise Specified)

1. Waterproof Rate: IP68.
2. RoHS & REACH Compliant
3. 產品採用單PCS紙盒包裝並於紙盒貼上標籤。
RR-2731N6-11050_REVXX_QTY:PCS
LOT: XXXX
Made in China
4. 標籤上的REV: 請依照成品圖面版本。

GTC
DOC.CENTER.ISSUE
JAN.11.2019
ONLY FOR
RELEASE

REV	ECN#	DESCRIPTION OF REVISION	DRAW BY DATE	CHECK BY DATE	APPROVE BY DATE
A0			Whitney 01/10/19	Lucas 01/10/19	Ray 01/10/19



Wiring Diagram

11	Glue	Epoxy Color: Black	
10	Resistance	1206, 1.2KOHM, 1%, 1/4W	1
9	LED Lamp	Kingbright P/N: L-710A10CGCK-TW Color: Green	1
8	Over Mold	Thermoplastic Color: Black	1
7	Inner Mold	PVDF Color: White	2
6	FEP Wire	FEP 22AWG*IC Color: See Wiring Diagram	
5	PCB	FR-4 Color: Green	1
4	O-Ring	Viton Color: Green	5
3	Contacts	Copper Alloy Finish: Au Plated	30
2	Screw Nut	Copper Alloy Finish: Ni Plated	6
1	Housing	Thermoplastic Color: Black	6
Item	Part Name	Material / Finish	Q'ty

TITLE						DRAWING NUMBER			REV.	
Micro 6 Port 30V 4A 5P With LED						RR-2731N6-11050			A0	
THIRD ANGLE PROJECTION		SIZE	SCALE	DRAW / DATE	CHECK / DATE	APPROVE / DATE	TOLERANCES		UNIT	SHEET
DD NOT SCALE DRAWINGS		B	1:1	Whitney 01/10/19	Lucas 01/10/19	Ray 01/10/19	X.X ± 0.5 X.XX ± 0.2		mm	1/1
							X.XXX ± 0.05 ANGLES ± 1°			


USB FIREWIRE.com

THE INFORMATION CONTAINED HEREIN IS THE PROPRIETARY INFORMATION OF RR BUSINESS VENTURES, LLC. THE POSSESSOR AGREES TO THE FOLLOWING

1. MAINTAIN THIS DOCUMENT IN CONFIDENCE
2. NOT TO REPRODUCE OR COPY IT
3. NOT TO REVEAL OR PUBLISH IT IN WHOLE OR IN PART

COPYRIGHT © 2019

1

2

3

4