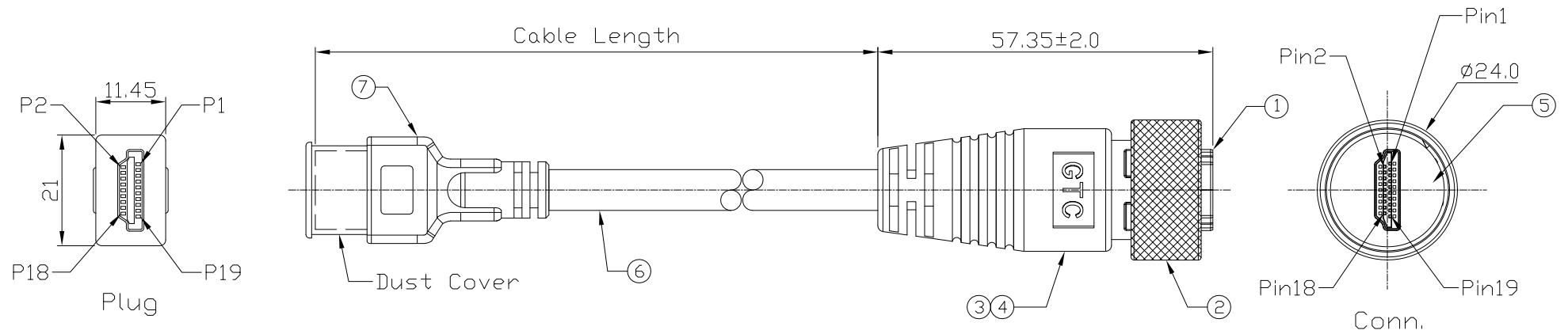


Notes: (Unless Otherwise Specified)

1. Waterproof Rate: IP68.
2. RoHS Compliant.

REV	ECN#	DESCRIPTION OF REVISION	DRAW BY DATE	CHECK BY DATE	APPROVE BY DATE
01			Karen 03/25/16	Lucas 03/25/16	Ray 03/25/16



7	HDMI Male	HDMI 19P Male IDC Type Color: Black	1
6	Cable	UL20276 [(28#/1PR+EAM)*4+(1PR/28#+EAM)+28#/4C]+AB85% Color: Black, OD=6.8mm	1
5	Rubber Pad	Silicone Color: Black	1
4	Over Mold	PVC Color: Black	1
3	Inner Mold	Thermoplastic Color: Black	1
2	Metal Screw Nut	Copper Alloy Finish: Ni Plated	1
1	HDMI Plug	Housing: Thermoplastic, Color: Black Contacts: Copper Alloy, Finish: Au Plated Shell: Copper Alloy, Finish: Au Plated	1
Item	Part Name	Material / Finish	Q'ty

Plug	Conn.	Plug	Conn.
1 Brown	1	10 Blue	10
2 Drain	2	11 Drain	11
3 White	3	12 White	12
4 Red	4	13 Black	13
5 Drain	5	14 Red	14
6 White	6	15 Orange	15
7 Green	7	16 Yellow	16
8 Drain	8	17 Drain	17
9 White	9	18 Purple	18
		19 White	19
		Shell Drain+Braid	Shell

Wiring Diagram

R&D DEPT. ISSUE  
MAR.25.2016  
ONLY FOR RELEASE

RR-2H2320-02-196	5000 mm	+150
Part No.	Cable Length	Tol.

TITLE						DRAWING NUMBER			REV.	
HDMI C3 Metal Cable End Plug Lock With HDMI Plug						RR-2H2320-02-XX			01	
THIRD ANGLE PROJECTION	SIZE	SCALE	DRAW / DATE	CHECK / DATE	APPROVE / DATE	X.X ± 0.5 X.XX ± 0.2	X.XXX ± 0.05 ANGLES ± 1°	mm	1/1	
						TOLERANCES			UNIT SHEET	

**www.USBFireWire.com**

NOTICE OF PROPRIETARY PROPERTY:  
THE INFORMATION CONTAINED HEREIN IS THE PROPRIETARY PROPERTY OF USBFIREWIRE.COM THE POSSESSOR AGREES TO THE FOLLOWING:  
(1) TO MAINTAIN THIS DOCUMENT IN CONFIDENCE  
(2) NOT TO REPRODUCE OR COPY IT  
(3) NOT TO REVEAL OR PUBLISH IT IN WHOLE OR PART  
(4) ALL RIGHTS RESERVED