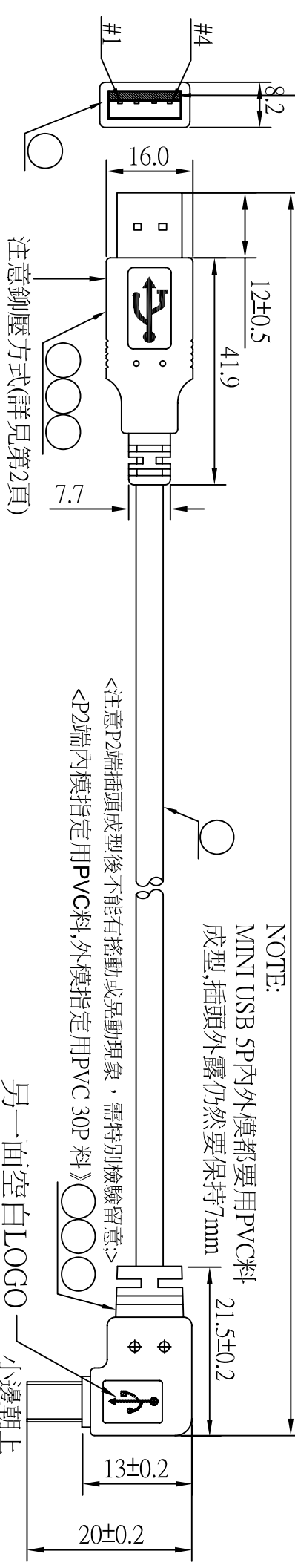


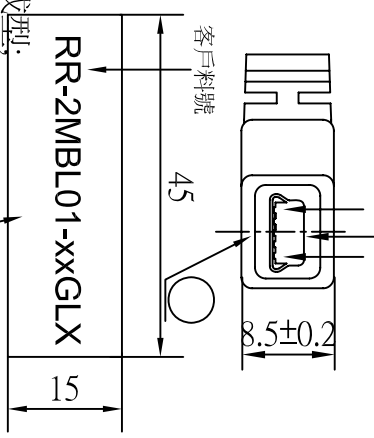
ROHS COMPLIANT

DESCRIPTION CONTROL			
REV	DESC	DATE	APP

PLASTIC TONGUE (BLACK SHADED AREA)



CUSTOMER P/N	Y-S P/N	LT	M	PE BAG: L**W**0.06MM	CARTON: 46*30*H CM	QTY	TIE-A/BK10
RR-2MBL01-06GLX	UB2001021L16059	153±15	0.140	PE BAG: 5*6**0.06MM	CARTON: 46*30*20CM	A/R	
RR-2MBL01-12GLX	UB2001021L26059	305±20	0.29	PE BAG: 5*6**0.06MM	CARTON: 46*30*20CM	A/R	100*1
RR-2MBL01-18GLX	UB2001021L36059	457±20	0.445	PE BAG: 5*6**0.06MM	CARTON: 46*30*20CM	A/R	100*1
RR-2MBL01-24GLX	UB2001021L46059	610±20	0.6	PE BAG: 5*6**0.06MM	CARTON: 46*30*20CM	A/R	120*1
RR-2MBL01-36GLX	UB2001021L56059	915±30	0.905	PE BAG: 5*6**0.06MM	CARTON: 46*30*20CM	A/R	120*1



P2端內模料指定用PVC料成型;
外模指定用30P料成型;UB2001021LX4317 貼P袋正中間

NO	PART NO.	DESCRIPTION	QTY	UNIT
*		LABEL: 45*15MM <白底黑字>	1	PCS
*	3100000000XX	CARTON: 46*30*H CM	A/R	PCS
*	300010000000	PE BAG: 30**28**0.08MM	A/R	PCS
*	390	PE BAG: L**W**0.06MM	1	PCS
*	220030000036	TIE-A/BK10	***	MM
7	2100100000328	FOIL-CU-8MM	26*1	MM
6	2100300000057H	TEAMP TAPE: W: 6MM;	20*2	MM
5	1200100000031	PVC-BK10/50	6.8	G
4	2300200000001	SOL-WIRE-FULL-TIN-1.0	0.2	G
3	180-041033-0	USB-A-P<WH>/鐵殼鍍金>	1	SET
2	180-041033-0	MINI-USB-B-P-5PIN(BK) (一件式)<鐵殼鍍金>	1	SET
1	1303041101293	UL2725;(1P+2C)+AB-BK10,OD:3.0(30/30) <REV:2.0>	L	M



THE INFORMATION CONTAINED HEREIN IS THE PROPRIETARY INFORMATION OF RR BUSINESS VENTURES, LLC. THE POSSESSOR AGREES TO MAINTAIN THIS DOCUMENT IN CONFIDENCE, NOT REPRODUCE IT OR COPY IT, AND NOT TO REVEAL OR PUBLISH IT IN WHOLE OR PART.
COPYRIGHT © 2019

PIN ASSIGNMENT			
P1		P2	
1	RED	1	
2	WHITE	2	
3	GREEN	3	
4	BLACK	5	
5	BRAID	S	

DRAW, BY: 葉麗珍	SCALE: NONE	DATE: 2014.2.18
CHECK, BY:	CUSTOMER: C331<陸鴻>	PAGE: 1/2
APP, BY:	CUSTOMER P/N: RR-2MBL01-XXGL	

ALL DIMENSIONS IN mm