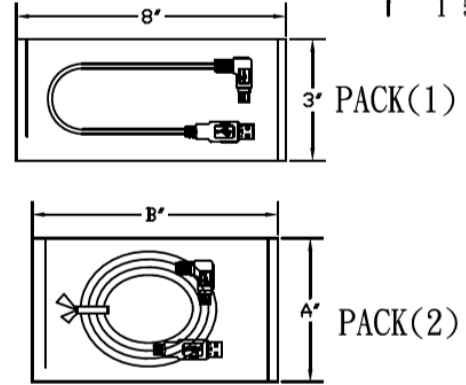
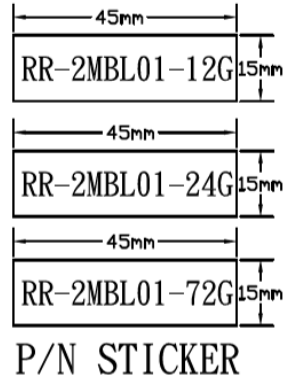
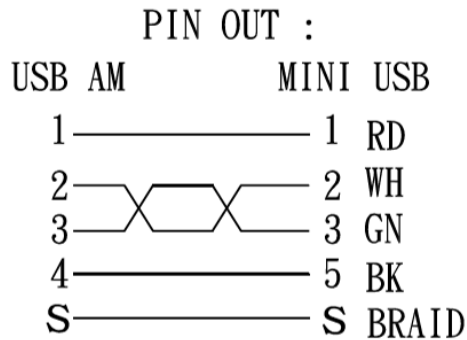
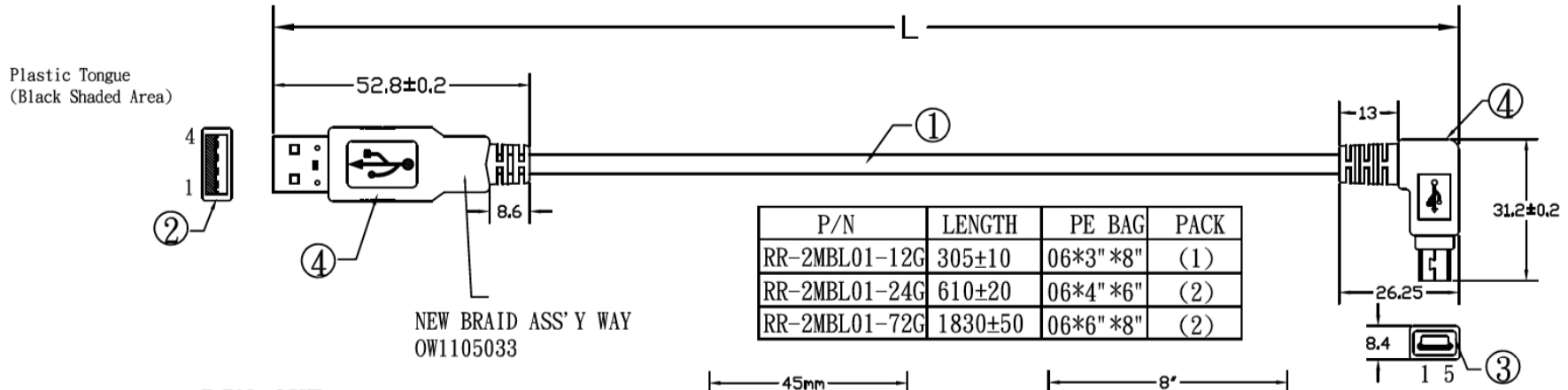


CHANGE VERSION	REMARKS	C	11/10/06	CHANGE CABLE, ADD BRAID WAY	
A	07/09/20	REL	D	16/03/21	CHANGE CABLE, PACKAGE, P/N, REMOVE STICKER
B	08/01/19	CHANGE STICKER	E		



MATERIAL LIST :

NO.	P/NAME	DESCRIPTION	Q' TY
1	WIRE	UL2725 28AWG(7/0.12 TC)*1P+24AWG(7/0.20 TC)*2C+AL+1(TC)+B(16*4/0.10 TC) OD:5.0±0.15 BLACK(B792) 2.0 (COPARTNER)	1
2	PLUG	USB"A" TYPE MALE GOLD PLATED	1
3	PLUG	MINI USB"B"TYPE 5P MALE GOLD PLATED	1
4	PVC	45P BLACK(B792)PVC	12g
5	PACK	1PCE/PE BAG:06*A"*B"+ P/N STICKER	1

MOLD TOOL NO.	www.USBFireWire.com		
"A" TYPE A110-160-001	SCALE	UNIT	REV
MINI USB 5P 90° A110-537-001		MM	D
FILE NAME	CUSTOMER		
OW0708020			
DATE	CUSTOMER P/N		
16/03/21	RR-2MBL01-XXG		

RoHS

DRAWN BY	Marcos
CHECKED BY	
CONFIRMED BY	
CHECKED BY	
APPROVED BY	