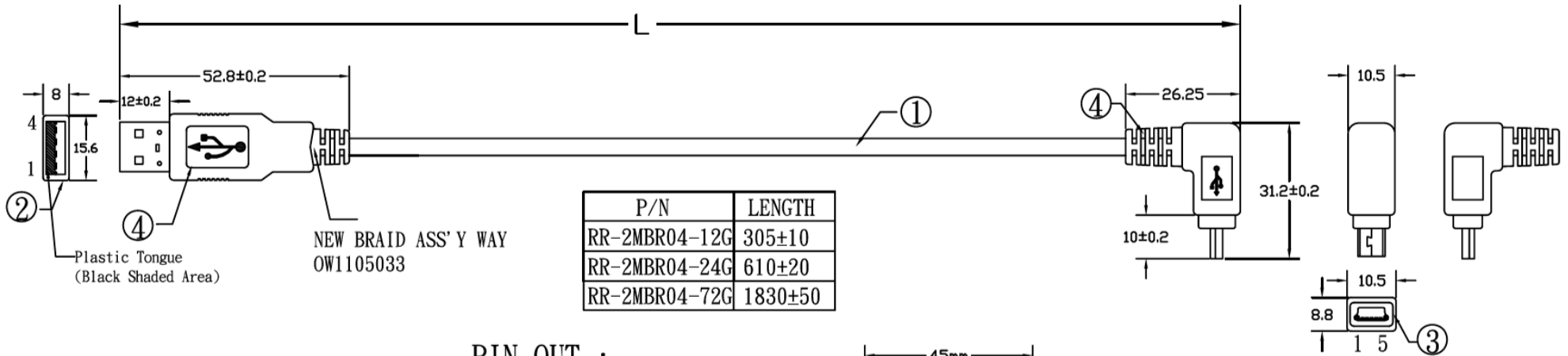
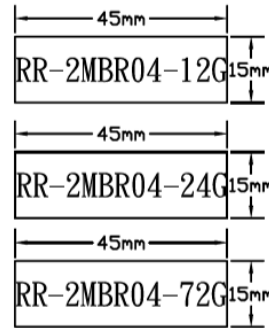
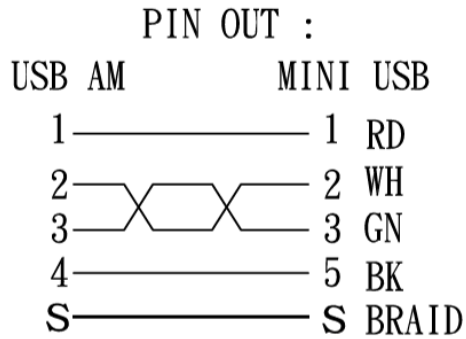


CHANGE VERSION	REMARKS	C	12/11/09	REMOVE STICKER, CHANGE CABLE
A 08/03/20	REL	D		
B 11/10/07	ADD NEW BRAID WAY	E		



P/N	LENGTH
RR-2MBR04-12G	305±10
RR-2MBR04-24G	610±20
RR-2MBR04-72G	1830±50



P/N STICKER

**RoHS**

MATERIAL LIST :

NO.	P/NAME	DESCRIPTION	Q' TY
1	WIRE	UL2725 28AWG(7/0.12 TC)*1P+24AWG(7/0.20 TC)*2C+AL+1(TC)+B(16*4/0.10 TC) OD:5.0±0.15 BLACK(B792) 2.0 (COPARTNER)	1
2	PLUG	USB"A" TYPE MALE GOLD PLATED	1
3	PLUG	MINI USB"B"TYPE 5P MALE GOLD PLATED	1
4	PVC	45P BLACK(B792)PVC	12g
5	PACKAGE	1PCE/PE BAG:06*3"*8"+ P/N STICKER	1

MOLD TOOL NO.	www.USBFireWire.com			DRAWN BY
"A" TYPE A110-160-001				Marcos
MINI USB A110-554-001	SCALE	UNIT	REV	CHECKED BY
		MM	C	
FILE NAME	CUSTOMER			CONFIRMED BY
OW0801021				
DATE	CUSTOMER P/N			CHECKED BY
12/11/09	RR-2MBR04-XXG			APPROVED BY