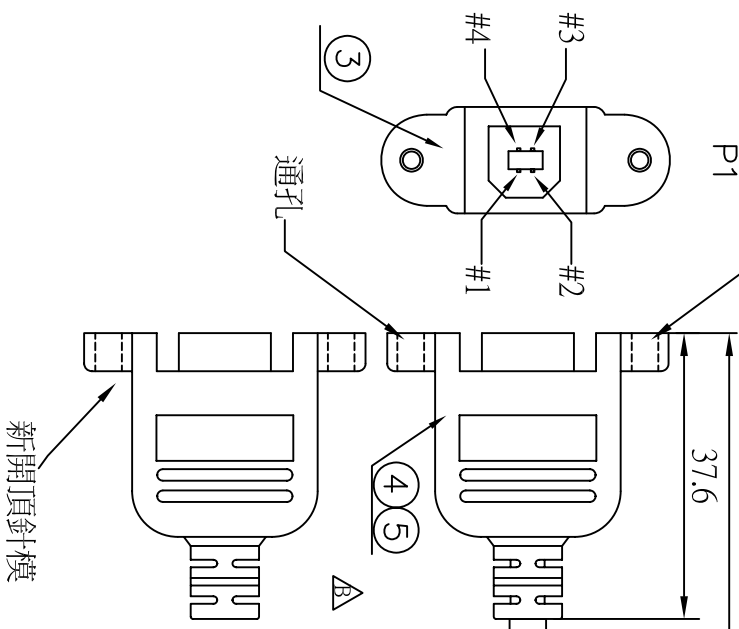
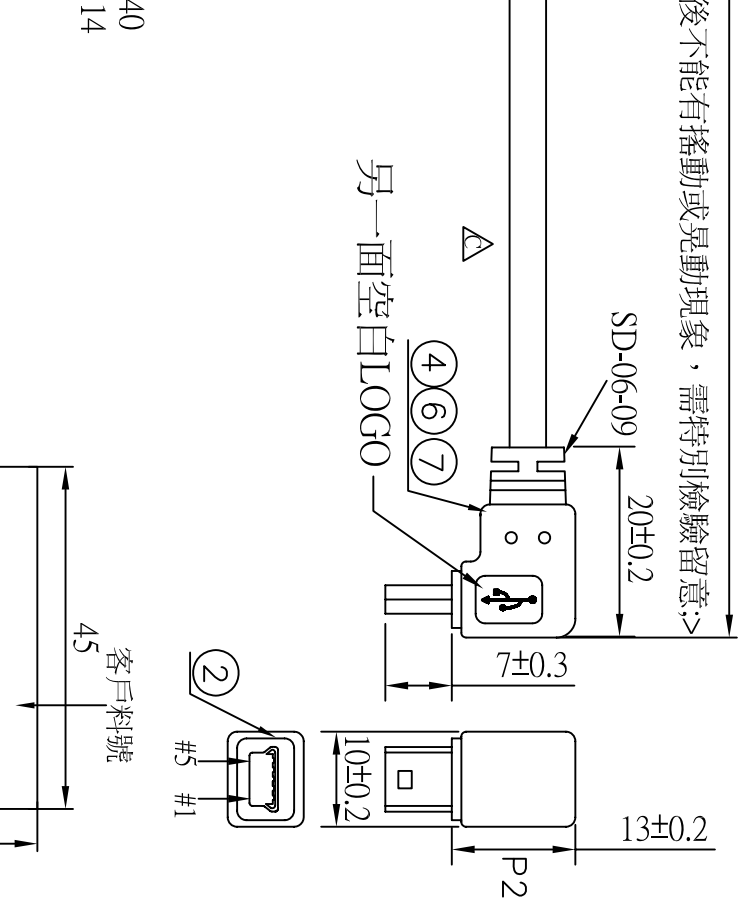


<P2端外模指定用PVC 30P 料>
305±20

DESCRIPTION CONTROL			
REV	DESC	DATE	APP
B	A	2012.05.23	N21205148
C	A	2012.08.21	N21208087



NOTE:
REF UB2001021LX4340
UB2002023LX1114



<注意P2端插頭成型後不能有搖動或晃動現象，需特別檢驗留意;>

ROHS COMPLIANT

NO	PART NO.	DESCRIPTION	QTY	UNIT
*	330010021498	LABEL: "RR-2MBR3BFFPM-12GL" 45*15MM	1	PCS
*	310000000011	CARTON: 46*30*20CM	AR	PCS
*	300010000001	PE BAG: 30*28*0.08MM	AR	PCS
*	300030000193	PE BAG: 5*6*0.06MM	1	PCS
7	120010000116	PVC-BK10/30P	60	G
6	210030000057	HI TEMP AMP TAPE: W: 6MM;	20*2	MM
5	120010000031	PVC-BK10/50	7.5	G
4	120020000001	PE-5321	60	G
3	110082304081	USB-B-S<WH><鐵殼鍍金>	1	SET
2	110081004126	MINI-USB-B-P-5PIN(BK) (一件式)<鐵殼鍍金>	1	SET
1	1303041101333	28*1P+24*2C+A+B(G4#)-BK10 -OD: 4.8 U/L 27.25 <REV: 2.0>	0.296	M

PIN ASSIGNMENT

P1	P2
1 — RED	1
2 — WHITE	2
3 — GREEN	3
4 — BLACK	5
5 — BRAID	S

NOTE:
P2端內模料指定用PVC料成型;
外模指定用30P料成型;



THE INFORMATION CONTAINED HEREIN IS THE PROPRIETARY INFORMATION OF RR BUSINESS VENTURES, LLC. THE POSSESSOR AGREES TO MAINTAIN THIS DOCUMENT IN CONFIDENCE; NOT REPRODUCE IT OR COPY IT, AND NOT TO REVEAL OR PUBLISH IT IN WHOLE OR PART.
COPYRIGHT © 2019

DRAW BY: 劉石壽	ITEM: UB2002023L01173	REV: C
CHECK BY:	SCALE: NONE	
APP BY:	CUSTOMER: C331<陸鴻>	
	CUSTOMER P/N: RR-2MBR3BFFPM-12GL	
DATE: 2012/05/04		
ALL DIMENSIONS IN mm		