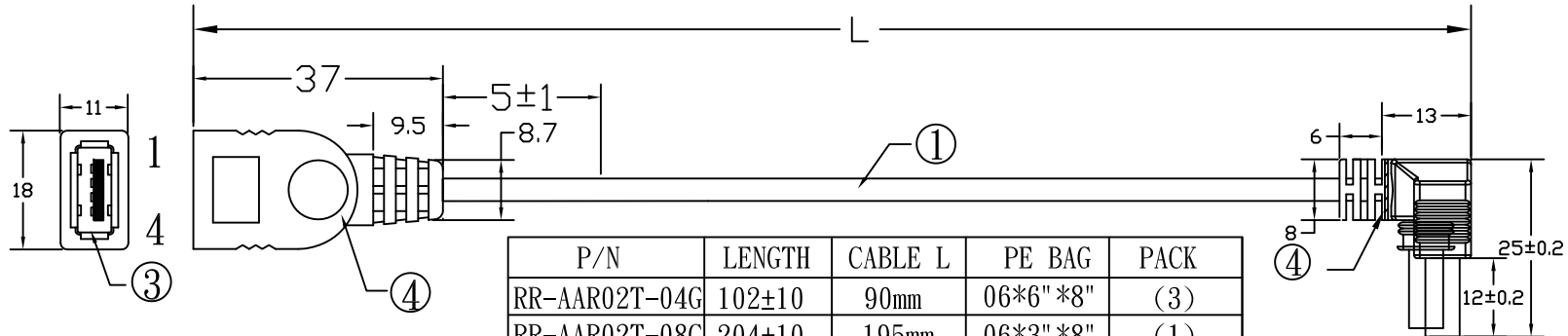
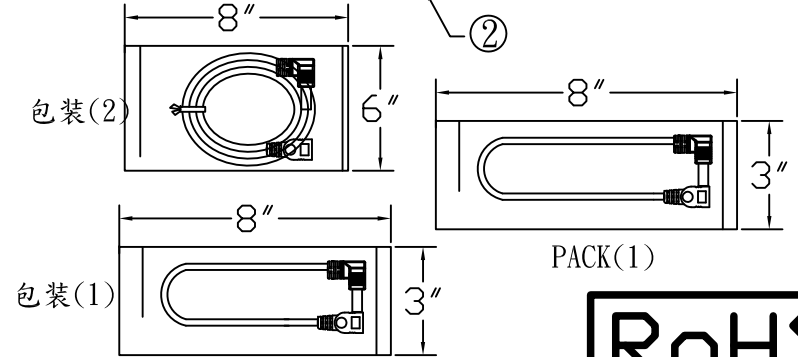
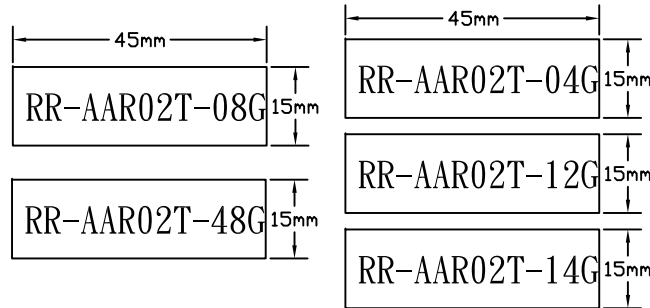
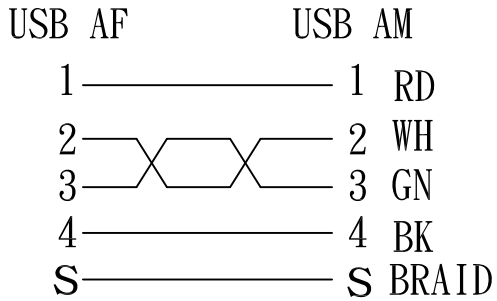


CHANGE VERSION	REMARKS	M	16/06/08	ADD P/N	F	08/09/16	CHANGE P/N	I	11/10/06	CHANGE CABLE
A	07/03/07	REL	08/01/19	CHANGE STICKER	G	09/03/11	ADD P/N	J	12/12/27	REMOVE STICKER, CHANGE CABLE
L	14/11/24	CHANGE PACKAGE	08/02/13	CHANGE TOOLING	H	09/06/04	ADD P/N	K	13/03/14	ADD P/N 08G



P/N	LENGTH	CABLE L	PE BAG	PACK
RR-AAR02T-04G	102±10	90mm	06*6" *8"	(3)
RR-AAR02T-08G	204±10	195mm	06*3" *8"	(1)
RR-AAR02T-12G	305±20	294mm	06*3" *8"	(1)
RR-AAR02T-14G	356±20	345mm	06*3" *8"	(1)
RR-AAR02T-48G	1220±30	1210mm	06*3" *8"	(2)

PIN OUT :



MATERIAL LIST :

P/N STICKER

NO.	P/NAME	DESCRIPTION	Q' TY
1	WIRE	UL2725 28AWG(7/0.12 TC)*1P+24AWG(7/0.20 TC)*2C+AL+1(TC)+B(16*4/0.10 TC) OD:5.0±0.15 BLACK(B792) 2.0 (CHINGLUNG)	1
2	PLUG	USB"A" TYPE MALE GOLD PLATED SHORT TYPE	1
3	PLUG	USB"A" TYPE FEMALE GOLD PLATED W/TINPLATE	1
4	PVC	45P BLACK(B792)PVC	12g
5	PACKAGE	1PCE/PE BAG:06*A" *B" + P/N STICKER	1

MOLD TOOL NO.	AM A110-459-001
USB AF	A110-558-001

		THE INFORMATION CONTAINED HEREIN IS THE PROPRIETARY INFORMATION OF RR BUSINESS VENTURES, LLC. THE POSSESSOR AGREES TO MAINTAIN THIS DOCUMENT IN CONFIDENCE; NOT REPRODUCE IT OR COPY IT, AND NOT TO REVEAL OR PUBLISH IT IN WHOLE OR PART. COPYRIGHT © 2019		
		SCALE	UNIT	REV
			MM	M
FILE NAME	CUSTOMER			
OW0703006				
DATE	CUSTOMER P/N			
16/06/08				

**RoHS**

DRAWN BY	MARCOS
CHECKED BY	
CONFIRMED BY	
CHECKED BY	
APPROVED BY	