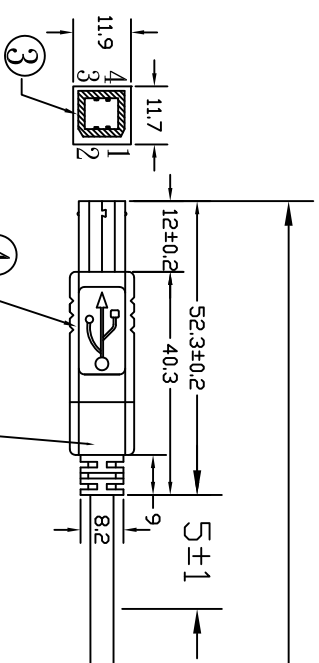
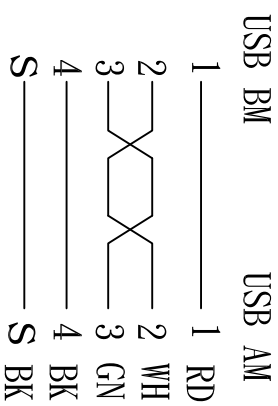


CHANGE VERSION	REMARKS	C	08/08/25	CHANGE P/N	F	12/10/09	CHANGE CABLE, REMOVE STICKER
A 07/09/20	REL	D	10/05/11	SELF REMARK	G	14/10/31	CHANGE PACKAGE
B 08/01/19	CHANGE STICKER	E	11/10/06	CHANGE CABLE, ADD BRAID WAY	H		

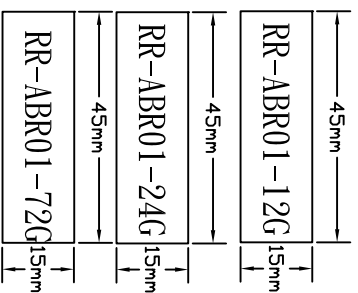


NEW BRAID ASS'Y WAY  
OW1105033

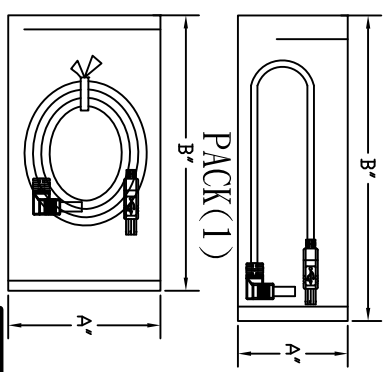
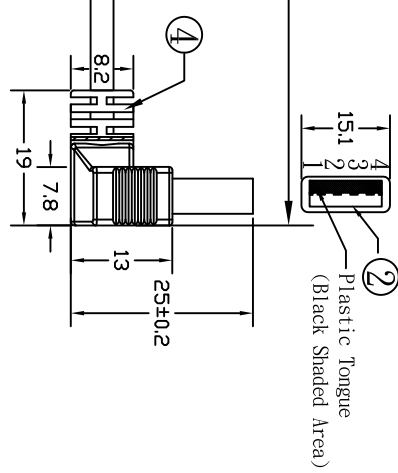
PIN OUT :



P/N	LENGTH	PACK	PE BAG
RR-ABR01-12G	305±10	(1)	06*3" *8"
RR-ABR01-24G	610±20	(2)	06*5*4" 7
RR-ABR01-72G	1830±30	(2)	06*6" *8"



P/N STICKER



**ROHS**

MATERIAL LIST :

NO.	P/NAME	DESCRIPTION	Q' TY
1	WIRE	UL2725 28AWG(7/0.12 TC)*1P+24AWG(7/0.20 TC)*2C+AL+1(TC)+B(16*4/0.10 TC) OD:5.0±0.15 BLACK(B792) 2.0 (CHINGLUNG)	1
2	PLUG	USB" A" TYPE MALE GOLD PLATED SHORT TYPE	1
3	PLUG	USB" B" TYPE MALE GOLD PLATED	1
4	PVC	45P BLACK(B792)PVC	12g
5	PACKAGE	1PCE/PE BAG:06*A"*B"+ P/N STICKER	1

MOLD TOOL NO.
AM A110-459-001
BM A110-165-001

 <b>USB FIREWIRE</b> .com <small>THE INFORMATION CONTAINED HEREIN IS THE PROPRIETARY INFORMATION OF RR BUSINESS VENTURES, LLC. THE POSSESSOR AGREES TO MAINTAIN THIS DOCUMENT IN CONFIDENCE; NOT REPRODUCE IT OR COPY IT, AND NOT TO REVEAL OR PUBLISH IT IN WHOLE OR PART. COPYRIGHT © 2019</small>	 FILE NAME OW0708021	 SCALE	UNIT MM	REV G
	DATE 14/10/31	CUSTOMER P/N	CUSTOMER	CONFIRMED BY

DRAWN BY	MARCOS
CHECKED BY	
APPROVED BY	