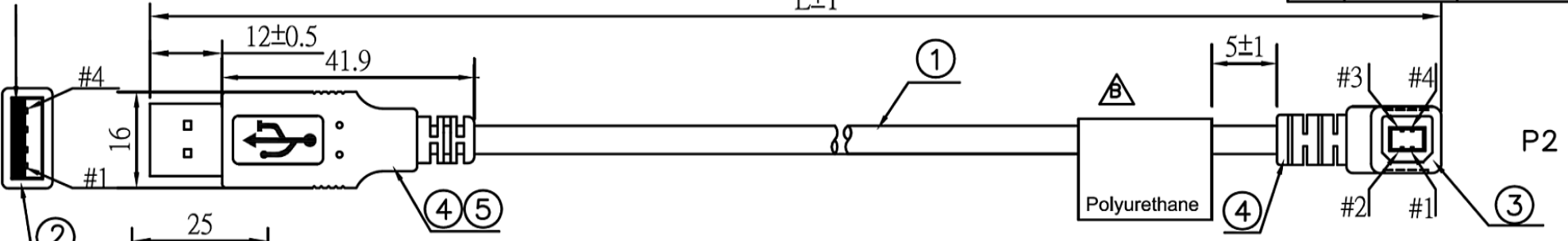
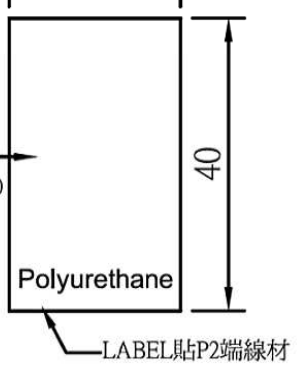


| DESCRIPTION CONTROL | | | |
|---------------------|------|------------|----------|
| REV | DESC | DATE | ECN N |
| B | | 2010-08-13 | N2100812 |
| C | | 2011-05-12 | N2110507 |

TIC TONGUE (BLACK SHADED AREA)

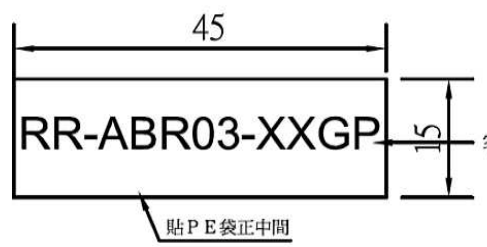
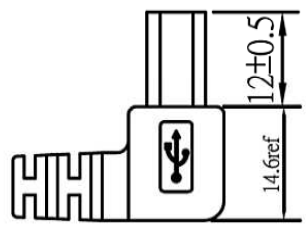


空白部分
blue (Pantone 544)
部防水



| CUSTOMER P/N | L±T | M | PE BAG: L*W*0.06MM | TIE-A/BK10 |
|----------------|---------|-------|-----------------------|------------|
| RR-ABR03-15GP | 381±20 | 0.391 | PE BAG: 5*6**0.06MM | 80*1 |
| RR-ABR03-30GP | 762±30 | 0.772 | PE BAG: 5*6**0.06MM | 100*1 |
| RR-ABR03-60GP | 1524±30 | 1.534 | PE BAG: 5*6**0.06MM | 100*1 |
| RR-ABR03-180GP | 4572±30 | 4.582 | PE BAG: 7**10**0.06MM | PE FLIM |

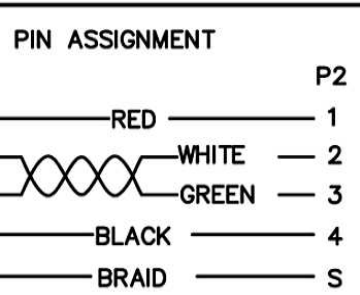
NEW BRAID ASS'Y WAY



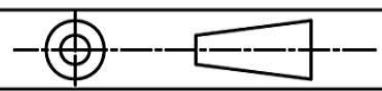
| | | | | | |
|----|--------------|--|--|------|------|
| * | 330010016543 | LABEL: 40*25MM*Polyurethane <藍底黑字> (需防水) | | 1 | PCS |
| * | 330010010325 | LABEL: 40*25MM*USB (PVC材質) <貼線材> | | 1 | PCS |
| * | 390 | LABEL: 45*15MM <白底黑字> | | 1 | PCS |
| * | 220030000363 | TIE-A-BK | | *** | MM |
| * | 310000000012 | CARTON: 46*30*25CM | | A/R | PCS |
| * | 300010000001 | PE BAG: 30**28**0.08MM | | A/R | PCS |
| * | 390 | PE BAG: L**W**0.06MM | | 1 | PCS |
| | 5 | 210010000328 | FOIL-CU-8MM | | 26*1 |
| | 4 | 120010001069 | PVC-BK10/50 <低煙無鹵> | | 13.5 |
| | 3 | 110081304104 | USB-B-P/1, <WH> (鐵殼鍍金) <尾部膠芯剪掉> | | 1 |
| | 2 | 180-041033- | USB-A-P <WH>/L <鐵殼鍍金> | | 1 |
| | 1 | 1303041101771 | UL2725, (1P+2C)+AB, BK10, OD: 4.8(28/24) <REV: 2.0> <低煙無鹵> | | L |
| NO | TYPE | DESCRIPTION | QTY | UNIT | |

RoHS COMPLIANT

NOTE: REF UB0102100XX4661



www.USBFireWire.com



| | |
|-----------------------------|-----------------|
| ITEM: | UB0102100XX4900 |
| SCALE: FREE | DATE: 2010/0 |
| CUSTOMER: C331 <陸鴻> | PAGE: 1/2 |
| CUSTOMER P/N: RR-ABR03-XXGP | |

ALL DIMENSIONS IN mm