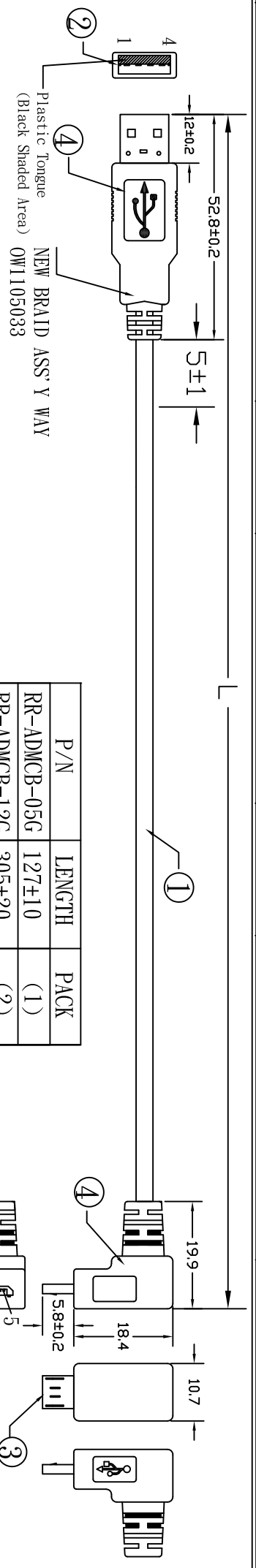
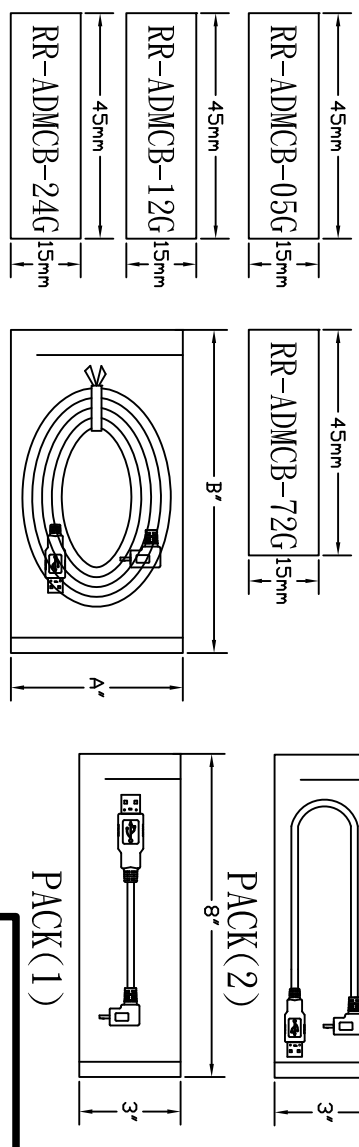
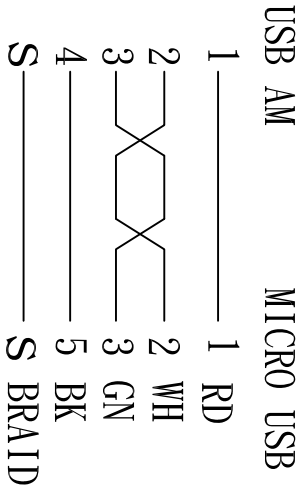


CHANGE VERSION	REMARKS	C	09/04/29	SELF REMARK	F	12/12/14	CHANGE CABLE, REMOVE STICKER
A	09/04/06 REL	D	11/05/26	ADD NEW BRAID WAY	G	14/09/30	CHANGE PACKAGE
B	09/04/10 SELF REMARK	E	11/10/07	CHANGE CABLE	H		



P/N	LENGTH	PACK
RR-ADM CB-05G	127±10	(1)
RR-ADM CB-12G	305±20	(2)
RR-ADM CB-24G	610±30	(3)
RR-ADM CB-72G	1830±50	(3)

PIN OUT :



MATERIAL LIST :

NO.	P/NAME	DESCRIPTION	Q' TY
1	WIRE	UL2725 28AWG(7/0.12 TC)*1P+24AWG(7/0.20 TC)*2C+AL+1(TC)+B(16*4/0.10 TC) OD:5.0±0.15 BLACK (B792) 2.0 (COMPARTNER)	1
2	PLUG	USB "A" TYPE MALE GOLD PLATED	1
3	PLUG	MICRO USB "B" TYPE 5P MALE GOLD PLATED SHORT TYPE	1
4	PVC	45P BLACK (B792)PVC	12g
5	PACKAGE	IPCE/PE BAG:06*3"*8" + P/N STICKER	1

MOLD TOOL NO.

"A" TYPE
A110-160-001
MICRO USB 90°
A110-589-001



THE INFORMATION CONTAINED HEREIN IS THE PROPRIETARY INFORMATION OF RB BUSINESS VENTURES, LLC. THE POSSESSOR AGREES TO MAINTAIN THIS DOCUMENT IN CONFIDENCE, NOT REPRODUCE IT OR COPY IT, AND NOT TO REVEAL OR PUBLISH IT IN WHOLE OR IN PART. COPYRIGHT © 2019

FILE NAME	CUSTOMER	SCALE	UNIT	REV
OW0904015			MM	G

DATE	CUSTOMER P/N
14/09/30	

ROHS

DRAWN BY	CHECKED BY	CONFIRMED BY	APPROVED BY
	MARCOS		