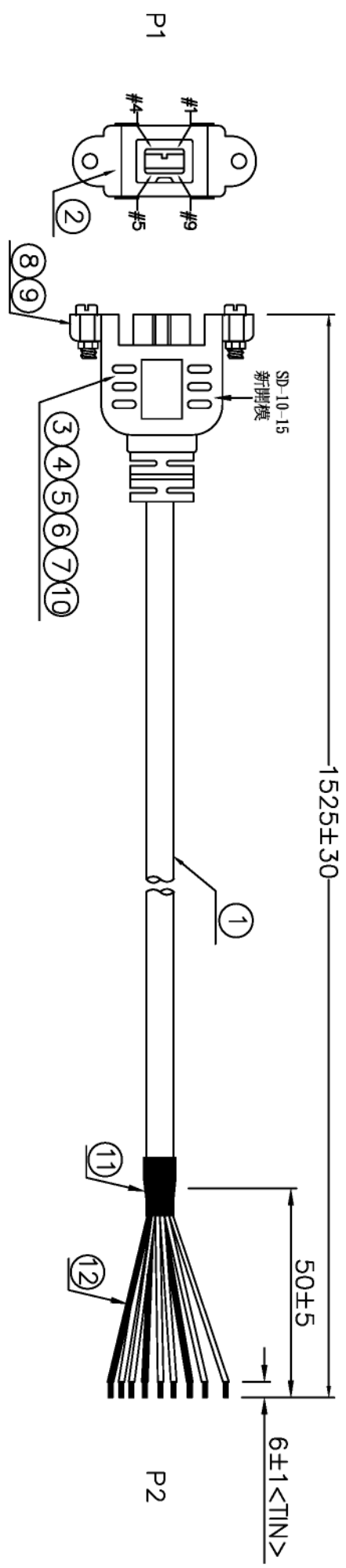


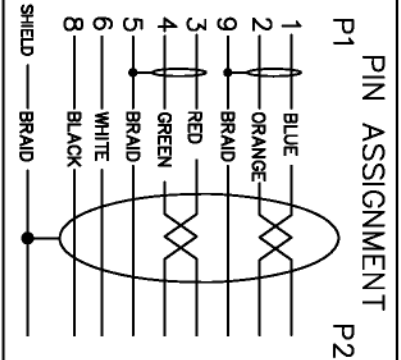
DESCRIPTION CONTROL			
REV	DESC	DATE	ECN NO.



*	3100000000012	CARTON: 46*30*25CM	A/R	PCS
*	3000100000001	PE BAG: 30**28**0.08MM	A/R	PCS
*	390	PE BAG: 5**6**0.06MM	1	PCS
*	390	TE-A/BLACK10	100.0	MM
12	210	TUBE-HT-Ø1.0MM	48*3	MM
11	210	TUBE-HT-Ø6.0MM	25*1	MM
10	200032000158	TUBE-HT-Ø3.0MM	8.0*1	MM
9	2400200000008	NUTS: 4: 7.5*2.0(4-40#)	2	PCS
8	240010700138	SRW: 5: 4*9.8MM<#4-40UNC>	2	PCS
7	2000320000517	TUBE-HT-Ø0.8MM	10*2	MM
6	1200100000033	PVC-BLACK10/50	10	G
5	2100300000105	HI TEAMP TAPE: W: 8MM	40*1	MM
4	2100300000057	HI-TEAMP-TAPE W: 6MM	35*1	MM
3	2100100000088	FOIL-CU-6MM	35*1	MM

ROHS COMPLIANT

NOTE:
REF: IET 394100X02199



NO	PART NO.	DESCRIPTION	QTY	UNIT
1	1308061100001	26#*2C+(30#*1P+D+A+MY)*2C+MYLAR +A+B-BLACK10-5.2U20276 (聯類)	1.52	M
2		IEEE1394b-9S<BK><MOLDING TYPE> <鐵殼鍍金>	1	SET

www.USBFireWire.com

DRAWN BY: 劉坤	SCALE: NONE	DATE: 2008/12/04	REV
CHECKED BY:	CUSTOMER: C331 <鐵殼>	PAGE: 1/1	A
APPROVED BY:	CUSTOMER P/N: RR-ADP-9F-60	ITEM: MC0000000002007	

ALL DIMENSIONS IN mm (UNLESS OTHERWISE SPECIFIED)