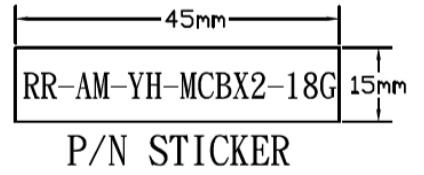
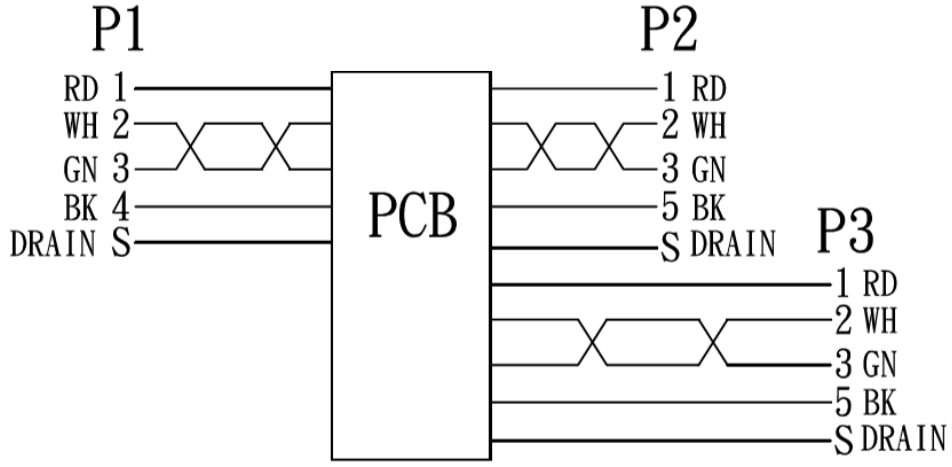
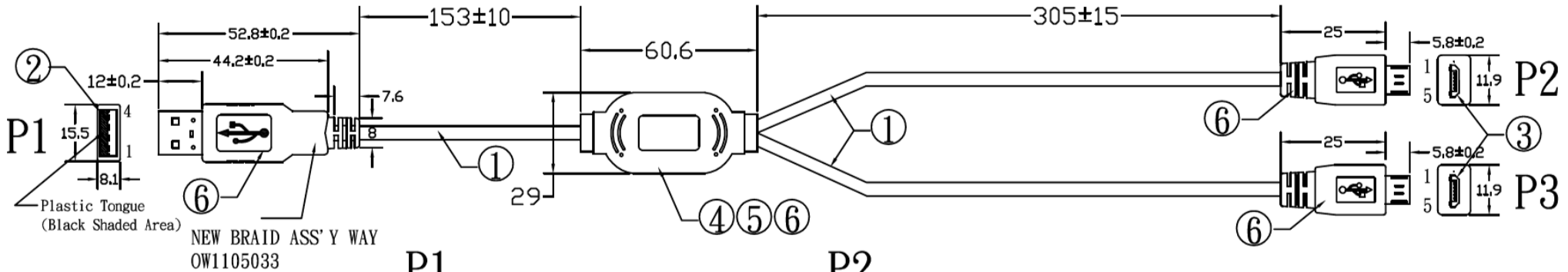


CHANGE VERSION	REMARKS	C	
A 13/11/18	REL	D	
B		E	



**MATERIAL LIST :**

NO.	P/NAME	DESCRIPTION	Q' TY
1	WIRE	UL2725 28AWG(7/0.12 TC)*1P+24AWG(7/0.20 TC)*2C+AL+1(TC)+B(16*4/0.10 TC) OD:5.0±0.15 BLACK(B792) 2.0 (COPARTNER)	
2	PLUG	USB" A" TYPE MALE GOLD PLATED	1
3	PLUG	MICRO USB" B" TYPE 5P MALE GOLD PLATED SHORT TYPE	2
4	PCB	PCBA (CUSTOMER PROVIDE)	1
5	PVC	LD PE	2g
6	PVC	45P BLACK(B792)PVC	30g
7	PACKAGE	1PCE/PE BAG:06*6" *8"+ P/N STICKER	1

MOLD TOOL NO	www.USBFireWire.com		
USB AM A110-160-001		SCALE	UNIT
MICRO USB A110-591-001			MM
PC板 B120-143-001	FILE NAME	CUSTOMER	
A110-320-001	OW1311003		
	DATE	CUSTOMER P/N	
	13/11/18	RR-AM-YH-MCBX2-18G	

<b>RoHS</b>	DRAWN BY
	Marcos
CHECKED BY	
CONFIRMED BY	
CHECKED BY	
APPROVED BY	