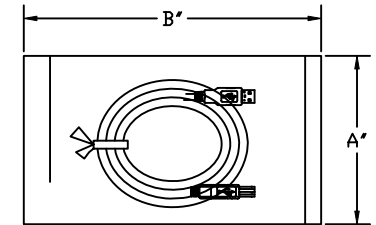
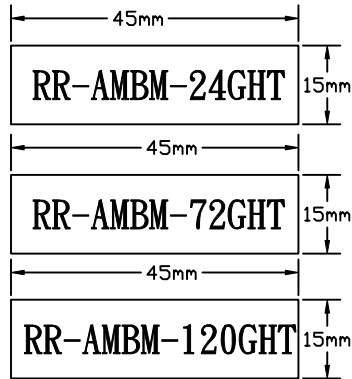
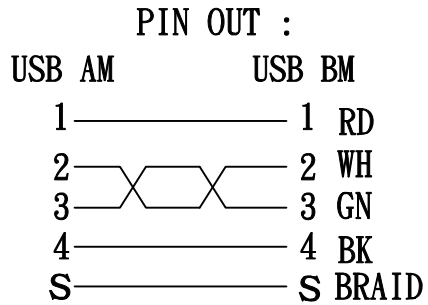
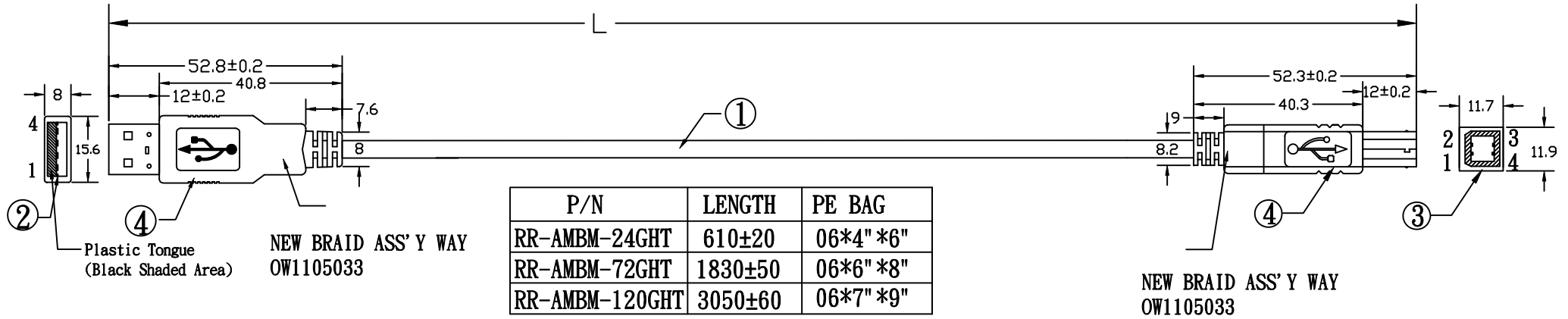


CHANGE VERSION	REMARKS	C	
A	14/11/24	REL	D
B			E



MATERIAL LIST :

NO.	P/NAME	DESCRIPTION	Q' TY
1	WIRE	UL2517 28AWG(7/0.12 TC)*1P+24AWG(7/0.20 TC)*2C+AL+1(TC)+B(16*4/0.10 TC) OD:5.0±0.15 BLACK(B792) (COPARTNER)	1
2	PLUG	USB"A" TYPE MALE GOLD PLATED	1
3	PLUG	USB"B" TYPE MALE GOLD PLATED	1
4	PVC	45P BLACK(B792)PVC	12g
5	PACKAGE	1PCE/PE BAG:06*A"*B"+ P/N STICKER	1

P/N STICKER

MOLD TOOL NO.
USB BM A110-165-001
USB AM A110-160-001

www.USBFireWire.com			
	SCALE	UNIT	REV
		MM	A
FILE NAME	CUSTOMER		
OW1411014			
DATE	CUSTOMER P/N		
14/11/24	RR-AMBM-XXGHT		

RoHS

DRAWN BY	Marcos
CHECKED BY	
CONFIRMED BY	
CHECKED BY	
APPROVED BY	