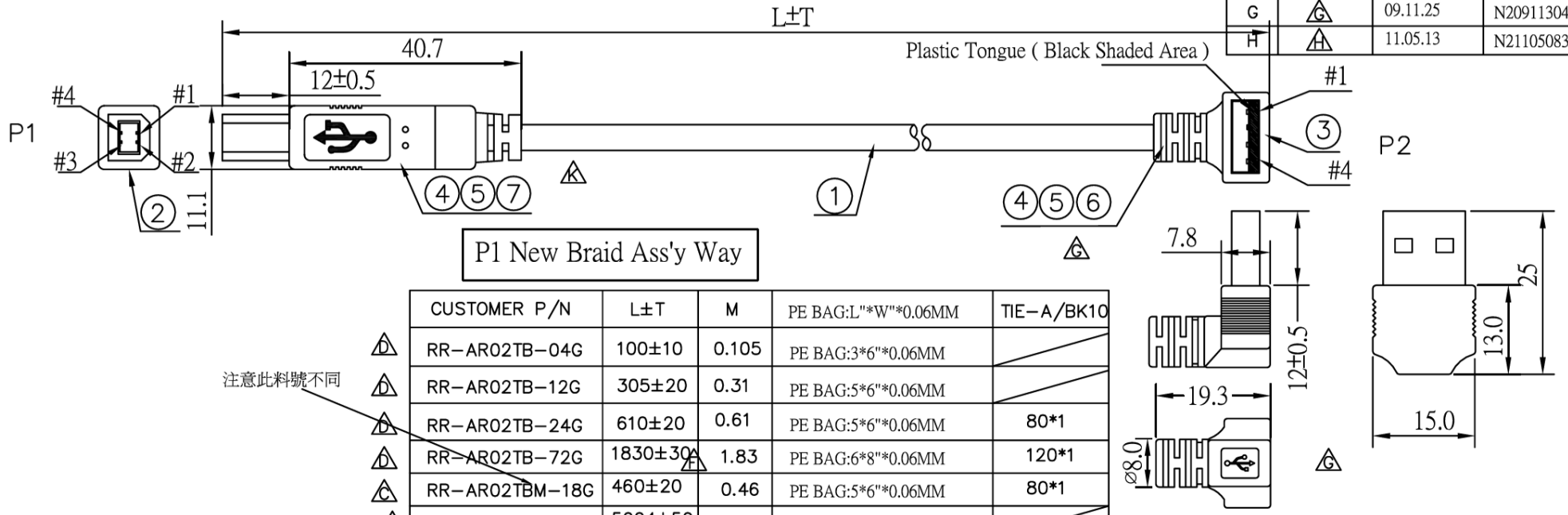


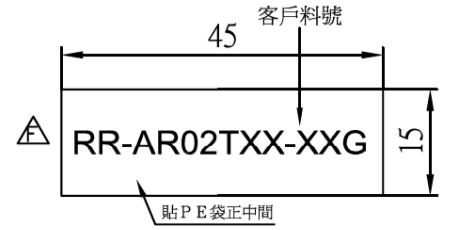
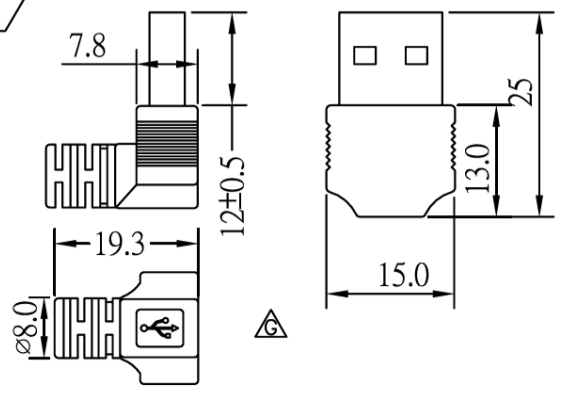
I	△	2012.03.23	N21203138	DESCRIPTION CONTROL			
J	△	2012.07.13	自然切换	REV	DESC	DATE	ECN NO
K	△	2012.08.21	N21208087	F	△	09.11.06	N20911057
				G	△	09.11.25	N20911304
				H	△	11.05.13	N21105083



P1 New Braid Ass'y Way

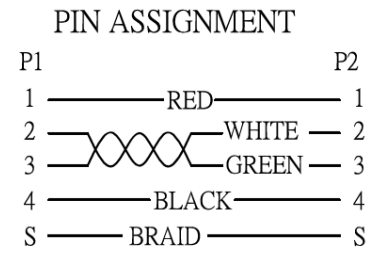
CUSTOMER P/N	L±T	M	PE BAG:L*W*0.06MM	TIE-A/BK10
RR-AR02TB-04G	100±10	0.105	PE BAG:3*6*0.06MM	
RR-AR02TB-12G	305±20	0.31	PE BAG:5*6*0.06MM	
RR-AR02TB-24G	610±20	0.61	PE BAG:5*6*0.06MM	80*1
RR-AR02TB-72G	1830±30	1.83	PE BAG:6*8*0.06MM	120*1
RR-AR02TBM-18G	460±20	0.46	PE BAG:5*6*0.06MM	80*1
RR-AR02TB-197G	5004±50	5.004	PE BAG:10*12*0.06MM	
RR-AR02TB-48G	1220±30	1.22	PE BAG:5*6*0.06MM	100*1

注意此料號不同



*	390	LABEL:"RR-AR02TBM-XXG"45*15MM	△△	1	PCS
*	390	TIE-A/BK		***	MM
*	31000000012	CARTON:46*30*25CM		A/R	PCS
*	30001000001	PE BAG:30*28*0.08MM		A/R	PCS
*	390	PE BAG1:L*W*0.06MM		1	PCS
7	210010000328	FOIL-CU-8MM	△	26*1	MM
6	230020000001	SOL-WIRE-FULL-TIN-1.0		0.5	G
5	120010000031	PVC-BK10/50		12.0	G
4	120020000001	PE-5321		3.0	G
3	110081304129	USB-A-P<WHITE> (一件式)<鐵殼鍍金>		1	SET
2	181-041033-C	USB-B-P<WHITE> <鐵殼鍍金>		1	SET
1	130304110000X	28#*1P+24#*2C+AB-BK10 -4.8U2725<REV:2.0>		L	M
NO	PART NO.	DESCRIPTION		QTY	UNIT

RoHS COMPLIANT



www.USBFireWire.com

	ITEM: RR-AR02TB-XXG	REV
		K
	DRAW, BY: 葉麗珍	SCALE: NONE
CHECK, BY:	CUSTOMER: C33<陸鴻>	PAGE: 1/2
APP, BY:	CUSTOMER P/N: RR-AR02TBM-XXG	
ALL DIMENSIONS IN mm		