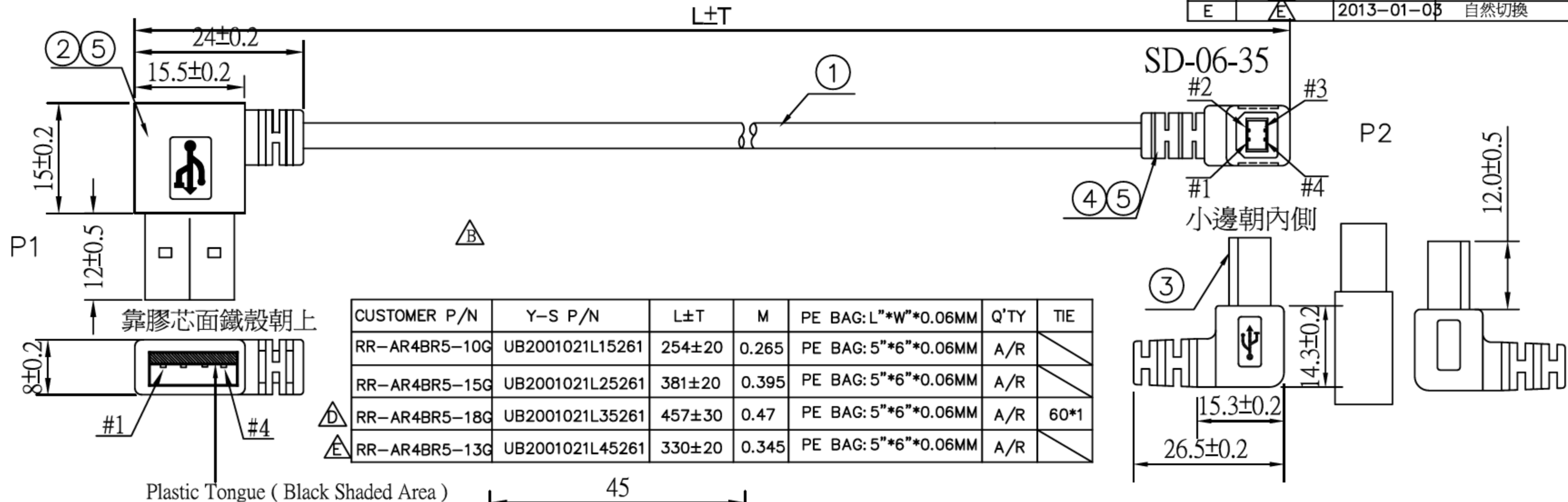


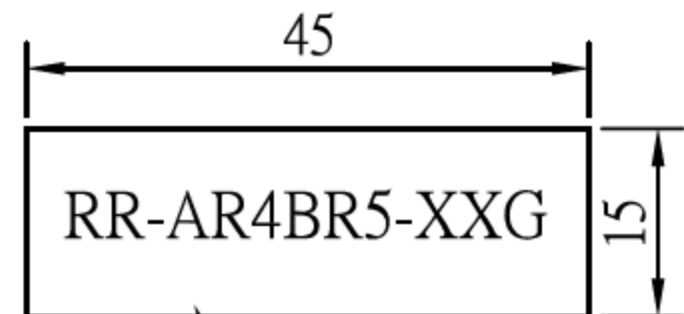
REV	DESC	DATE	ECN NO.
B	△B	2012.03.23	N21203102
C	△C	2012.08.20	N21208076
D	△D	2012.11.05	自然切换
E	△E	2013-01-05	自然切换



CUSTOMER P/N	Y-S P/N	L±T	M	PE BAG: L*W*0.06MM	Q'TY	TIE
RR-AR4BR5-10G	UB2001021L15261	254±20	0.265	PE BAG: 5"*6"*0.06MM	A/R	
RR-AR4BR5-15G	UB2001021L25261	381±20	0.395	PE BAG: 5"*6"*0.06MM	A/R	
RR-AR4BR5-18G	UB2001021L35261	457±30	0.47	PE BAG: 5"*6"*0.06MM	A/R	60*1
RR-AR4BR5-13G	UB2001021L45261	330±20	0.345	PE BAG: 5"*6"*0.06MM	A/R	

靠膠芯面鐵殼朝上

Plastic Tongue (Black Shaded Area)



貼PE袋正中間

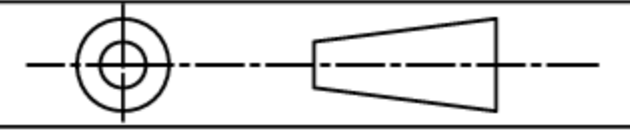
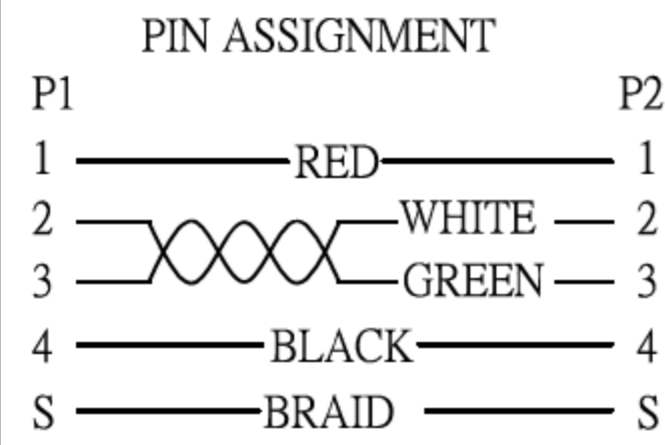
NOTE:
REF UB01021-4949&UB01021-4286

RoHS COMPLIANT

△B	*	TIE-A-BLACK	***	MM
	*	LABEL:"RR-AR4BR5-XXG"45*15MM	1	PCS
	*	CARTON:46*30*25CM	A/R	PCS
	*	PE BAG:30"*28"*0.08MM	A/R	PCS
	*	PE BAG:L"*W"*0.06MM	1	PCS
	5	120010000031 PVC-BK10/50	12.5	G
	4	230020000001 SOL-WIRE-FULL TIN-1.0	0.20	G
	3	110081304104 USB-B-P/1,<WH>(鐵殼鍍金)<一件式 短型>	1	SET
	2	110081304129 USB-A-P,<WH><一件式 短型><鐵殼鍍金>	1	SET
	1	130304110000X 28#*1P+24#*2C+A+B-BK10 -4.8U2725(REV:2.0)(慶龍或同級品)	L	M
NO	TYPE	DESCRIPTION	QTY	UNIT

INNER MOLDING	USB-A137	OUTER MOLDING	USB-A138	USB.B361KF
---------------	----------	---------------	----------	------------

www.USBFireWire.com



ITEM: UB2001021LX5261	REV E
DRAW,BY: 劉石壽	SCALE: FREE
CHECK,BY:	DATE: 2011-07-13
APP,BY:	CUSTOMER: C331<陸鴻>
	PAGE: 1/1
	CUSTOMER P/N: RR-AR4BR5-XXG

ALL DIMENSIONS IN mm