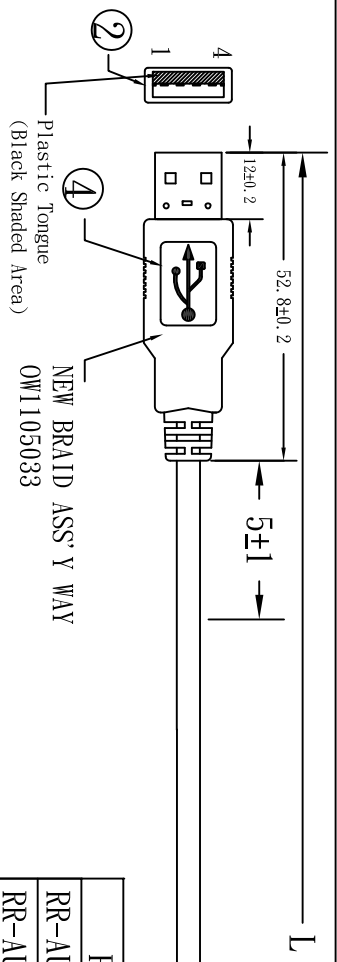
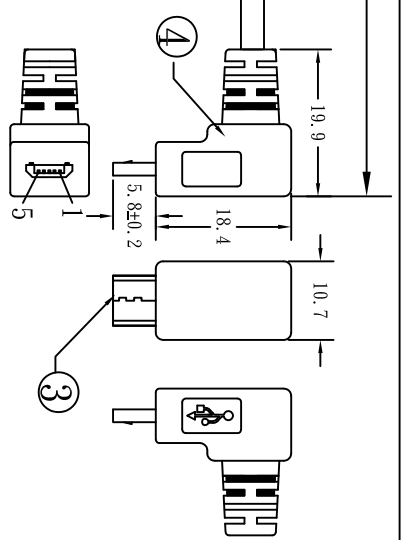


CHANGE VERSION	REMARKS	C	09/04/29	SELF REMARK	F	13/01/12	REMOVE STICKER, CHANGE CABLE
A	09/04/06 REL	D	11/06/09	ADD BRAID WAY	G	14/10/06	CHANGE PACKAGE
B	09/04/10 SELF REMARK	E	11/10/07	CHANGE CABLE			



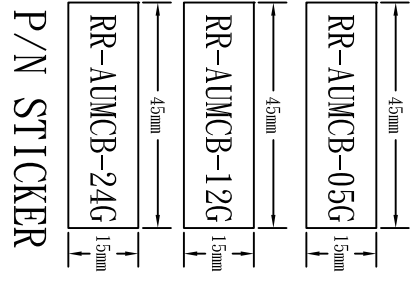
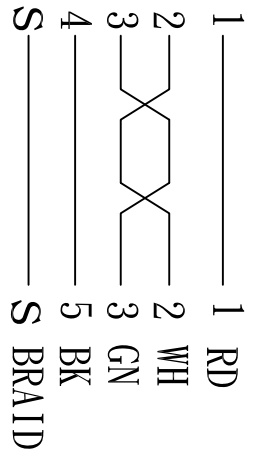
NEW BRAID ASS'Y WAY
OW1105033

P/N	LENGTH	PACK	PE BAG
RR-AUMCB-05G	127±10	(1)	06*3"*8"
RR-AUMCB-12G	305±20	(2)	06*3"*8"
RR-AUMCB-24G	610±30	(3)	06*4"*6"
RR-AUMCB-72G	1830±50	(3)	06*6"*8"



PIN OUT :

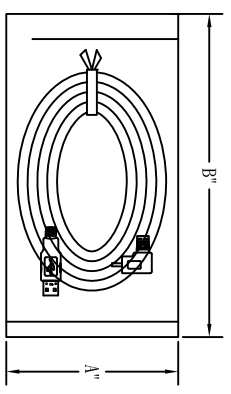
USB AM MICRO USB



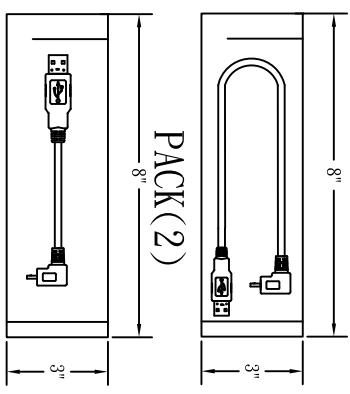
MATERIAL LIST :

NO.	P/NAME	DESCRIPTION	Q'TY
1	WIRE	UL2725 28AWG(7/0.12 TC)*1P+24AWG(7/0.20 TC)*2C+AL+1(TC)+B(16*4/0.10 TC) OD:5.0±0.15 BLACK (B792) 2.0 (COPARTNER)	1
2	PLUG	USB"A" TYPE MALE GOLD PLATED	1
3	PLUG	MICRO USB"B"TYPE 5P MALE GOLD PLATED SHORT TYPE	1
4	PVC	45P BLACK (B792)PVC	12g
5	PACKAGE	IPCE/PE BAF:06*A"*B"+ P/N STICKER	1

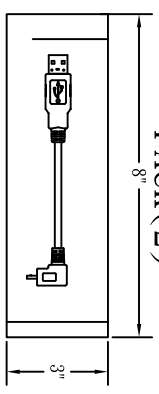
PACK(3)



PACK(2)



PACK(1)



ROHS

MOLD TOOL NO.		SCALE		UNIT		REV	
"A" TYPE A110-160-001		G		MM		G	
MICRO USB 90° A110-587-001		CUSTOMER		CUSTOMER P/N		APPROVED BY	
DATE 14/10/06		FILE NAME OW0904014		CHECKED BY		APPROVED BY	
USB FIREWIRE .com		DRAWN BY MARCOS		CHECKED BY		APPROVED BY	
THE INFORMATION CONTAINED HEREIN IS THE PROPRIETARY INFORMATION OF RR BUSINESS VENTURES, LLC. THE POSSESSOR AGREES TO MAINTAIN THIS DOCUMENT IN CONFIDENCE; NOT REPRODUCE IT OR COPY IT, AND NOT TO REVEAL OR PUBLISH IT IN WHOLE OR PART. COPYRIGHT © 2019		CONFIRMED BY		CHECKED BY		APPROVED BY	