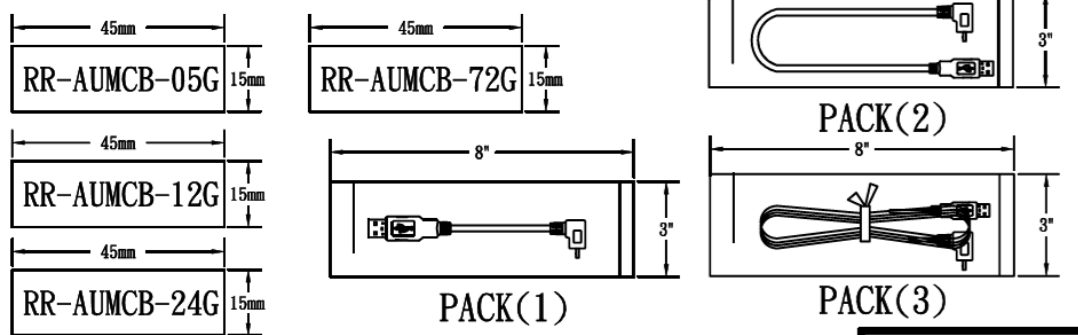
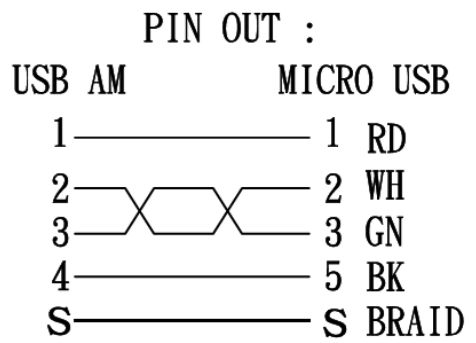
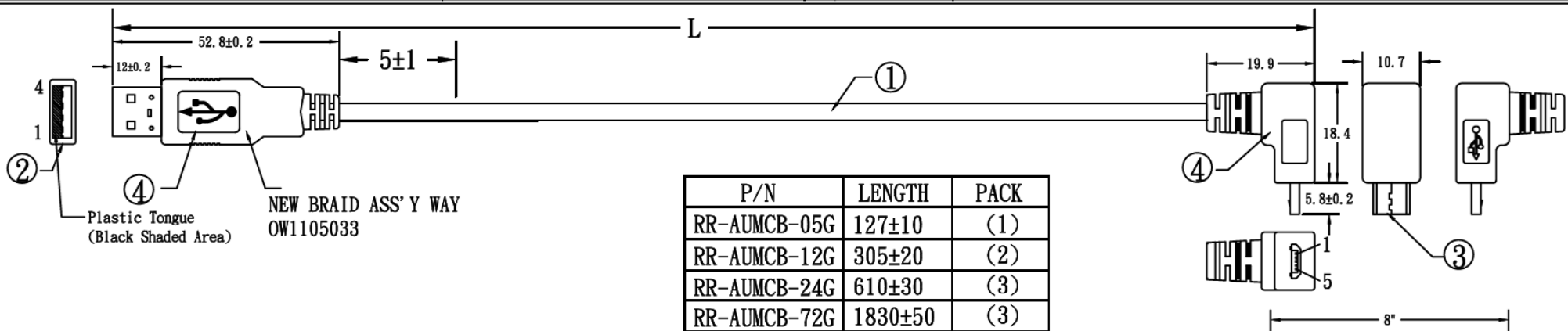


CHANGE VERSION	REMARKS	C	09/04/29	SELF REMARK	F	13/01/12	REMOVE STICKER, CHANGE CABLE
A	09/04/06	REL	D	11/06/09	ADD BRAID WAY		
B	09/04/10	SELF REMARK	E	11/10/07	CHANGE CABLE		



P/N STICKER

RoHS

MATERIAL LIST :

NO.	P/NAME	DESCRIPTION	Q' TY
1	WIRE	UL2725 28AWG(7/0.12 TC)*1P+24AWG(7/0.20 TC)*2C+AL+1(TC)+B(16*4/0.10 TC) OD:5.0±0.15 BLACK (B792) 2.0 (COPARTNER)	1
2	PLUG	USB"A" TYPE MALE GOLD PLATED	1
3	PLUG	MICRO USB"B" TYPE 5P MALE GOLD PLATED SHORT TYPE	1
4	PVC	45P BLACK (B792)PVC	12g
5	PACKAGE	1PCE/PE BAF:06*3"*8"+ P/N STICKER	1

MOLD TOOL NO.	www.USBFireWire.com			DRAWN BY
"A" TYPE A110-160-001				MARCOS
MICRO USB 90° A110-587-001	SCALE	UNIT	REV	CHECKED BY
		MM	F	CONFIRMED BY
	FILE NAME	CUSTOMER		CHECKED BY
	OW0904014			APPROVED BY
	DATE	CUSTOMER P/N		
	13/01/12	RR-AUMCB-XXG		