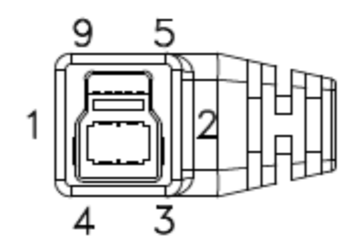
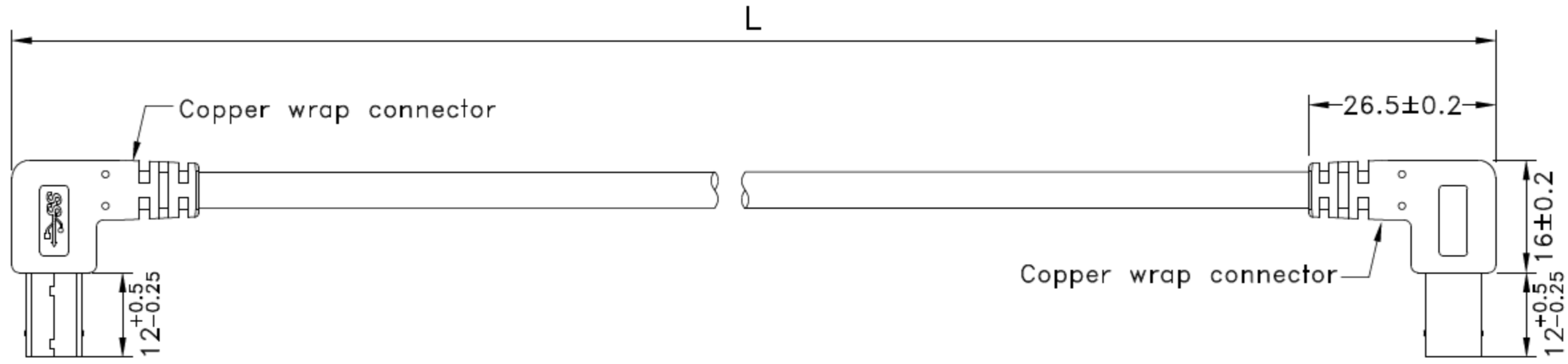


1 2 3 4

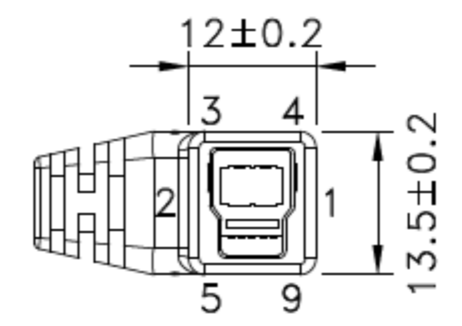
REV	ECN#	DESCRIPTION OF REVISION	DRAW BY DATE	CHECK BY DATE	APPROVE BY DATE
A0		Mass Production	Lucas 09/05/14	Ray 09/05/14	Ray 09/05/14



USB B MALE
RIGHT ANGLE RIGHT
MOLDED BLACK

PIN OUT

USB B M		USB B M
1	RED	1
2	WHITE	2
3	GREEN	3
4	BLACK	4
5	BLUE	5
6	YELLOW	6
7	DRAIN	7
8	PURPLE	8
9	ORANGE	9
	BRAID	
SHEEL		SHEEL



USB B MALE
RIGHT ANGLE RIGHT
MOLDED BLACK

P/N	LENGTH
RR-BRx2-20GR	508 ⁺³⁰ ₋₀
RR-BRx2-78GR	1980 ⁺⁶⁰ ₋₀

TITLE USB3.0 B MALE TO B MALE					DRAWING NUMBER RR-BRX2-XXGR			REV. A0	
	B	1:1	Lucas 09/05/14	Ray 09/05/14	Ray 09/05/14	X.X ± 0.5 X.XX ± 0.2	X.XXX ± 0.05 ANGLES ± 1°	mm	1/3
THIRD ANGLE PROJECTION	SIZE	SCALE	DRAW / DATE	CHECK / DATE	APPROVE / DATE	TOLERANCES		UNIT	SHEET

www.USBFireWire.com

NOTICE OF PROPRIETARY PROPERTY:
THE INFORMATION CONTAINED HEREIN IS THE PROPRIETARY PROPERTY OF GT Contact CO.,LTD THE POSSESSOR AGREES TO THE FOLLOWING:
(1) TO MAINTAIN THIS DOCUMENT IN CONFIDENCE
(2) NOT TO REPRODUCE OR COPY IT
(3) NOT TO REVEAL OR PUBLISH IT IN WHOLE OR PART
(4) ALL RIGHTS RESERVED

1 2 3 4