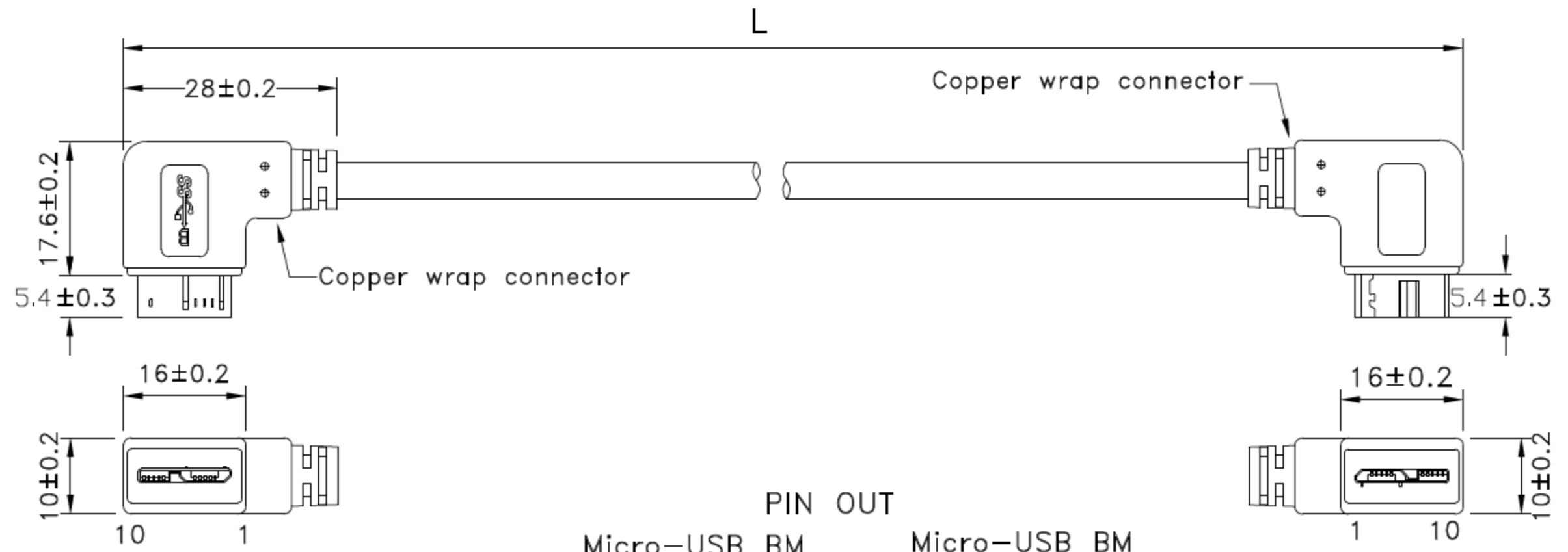


1 2 3 4

REV	ECN#	DESCRIPTION OF REVISION	DRAW BY DATE	CHECK BY DATE	APPROVE BY DATE
A0		Mass Production	Lucas 09/05/14	Ray 09/05/14	Ray 09/05/14



PIN OUT

Micro-USB BM		Micro-USB BM
1	RED	1
2	WHITE	2
3	GREEN	3
5	BLACK	5
6	BLUE	6
7	YELLOW	7
8	DRAIN	8
9	PURPLE	9
10	ORANGE	10
	BRAID	
	SHEEL	

Micro USB3.0 BM
RIGHT ANGLE LEFT
MOLDED BLACK

Micro USB3.0 BM
RIGHT ANGLE LEFT
MOLDED BLACK

P/N	LENGTH
RR-MLx2-20GR	508 ⁺³⁰ ₀
RR-MLx2-78GR	1980 ⁺⁶⁰ ₀

www.USBFireWire.com

TITLE Micro USB3.0 BM RIGHT ANGLE LEFT To Micro-USB3.0 BM RIGHT ANGLE LEFT					DRAWING NUMBER RR-MLx2-XXGR			REV. A0	
THIRD ANGLE PROJECTION	SIZE B	SCALE 1:1	DRAW / DATE Lucas 09/05/14	CHECK / DATE Ray 09/05/14	APPROVE / DATE Ray 09/05/14	TOLERANCES X.X ± 0.5 X.XX ± 0.2		UNIT mm	SHEET 1/3

NOTICE OF PROPRIETARY PROPERTY:
THE INFORMATION CONTAINED HEREIN IS THE PROPRIETARY PROPERTY OF GT Contact CO.,LTD THE POSSESSOR AGREES TO THE FOLLOWING:
(1) TO MAINTAIN THIS DOCUMENT IN CONFIDENCE
(2) NOT TO REPRODUCE OR COPY IT
(3) NOT TO REVEAL OR PUBLISH IT IN WHOLE OR PART
(4) ALL RIGHTS RESERVED

1 2 3 4