

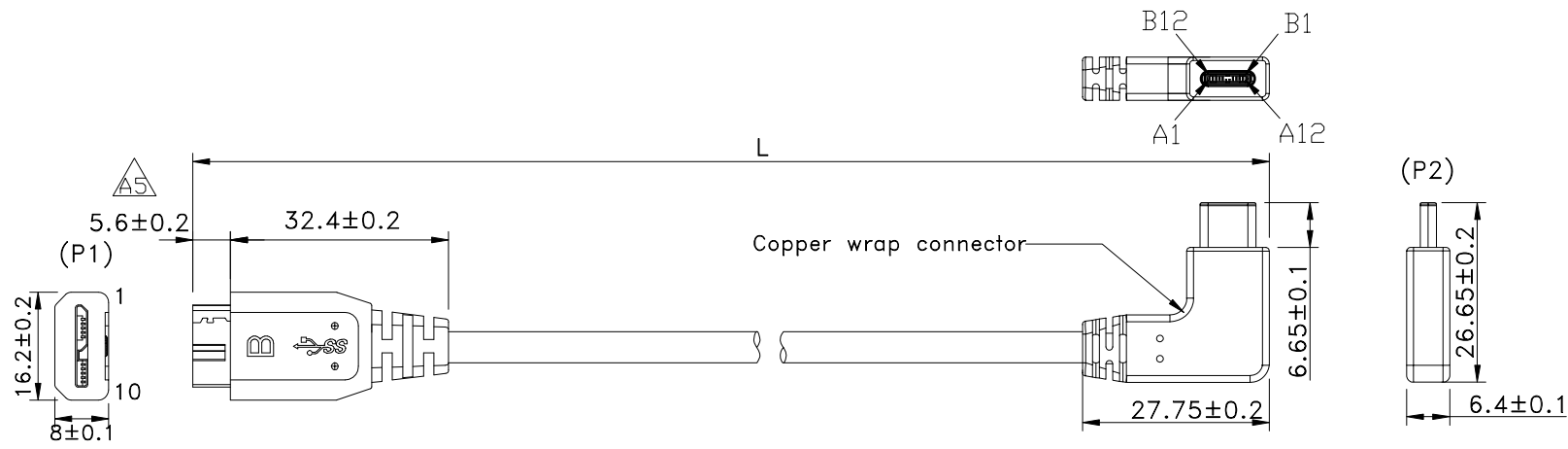
1

2

3

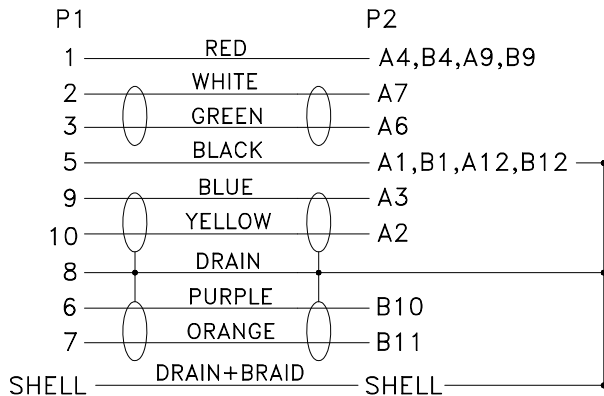
4

REV	ECN#	DESCRIPTION OF REVISION	DRAW BY DATE	CHECK BY DATE	APPROVE BY DATE
A5	ECN-180925	Modify Drawing	Lucas 10/01/18	Lucas 10/01/18	Ray 10/01/18



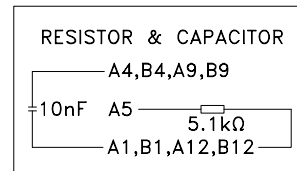
FRONT VIEW Micro-USB 3.0 BM MOLED BLACK

PIN OUT



FRONT VIEW USB TYPE C M RIGHT ANGLE RIGHT/LEFT MOLED BLACK

P/N	LENGTH
RR-MSCH-05GRA	$127^{+20}_{-0}$
RR-MSCH-10GRA	$255^{+20}_{-0}$
RR-MSCH-15GRA	$381^{+30}_{-0}$
RR-MSCH-25GRA	$635^{+30}_{-0}$
RR-MSCH-40GRA	$1016^{+40}_{-0}$



DOC.CENTER.ISSUE  
OCT.01.2018  
ONLY FOR  
RELEASE

TITLE USB3.0 Micro-BM TO USB3.1 C TYPE MALE RIGHT ANGLE RIGHT/LEFT						DRAWING NUMBER RR-MSCH-XXGRA				REV. A5	
THIRD ANGLE PROJECTION	SIZE	SCALE	DRAW / DATE	CHECK / DATE	APPROVE / DATE	X.X ± 0.5 X.XX ± 0.2	X.XXX ± 0.05 X.XXXX ± 1°	mm	1/3		
						TOLERANCES			UNIT	SHEET	

USB FIREWIRE.com

THE INFORMATION CONTAINED HEREIN IS THE PROPRIETARY INFORMATION OF RR BUSINESS VENTURES, LLC. THE POSSESSOR AGREES TO THE FOLLOWING:

1. MAINTAIN THIS DOCUMENT IN CONFIDENCE
2. NOT TO REPRODUCE OR COPY IT
3. NOT TO REVEAL OR PUBLISH IT IN WHOLE OR IN PART

COPYRIGHT © 2019

1

2

3

4

1

2

3

4

REV	ECN#	DESCRIPTION OF REVISION	DRAW BY DATE	CHECK BY DATE	APPROVE BY DATE
A5	ECN-180925	Modify Drawing	Lucas 10/01/18	Lucas 10/01/18	Ray 10/01/18

\*\*\*CONSTRUCTION:

1.CABLE: \* UL2725 (1P/30#+EAM)\*2+(1P/30#)+(2C/24#)+AEB(AL)65% OD:5.0mm  
BLACK PVC JACKET.

\*\*\*CONNECTOR:

2.Micro-USB B/M: \* MICRO-USB B "3.0" TYPE 10PIN MALE SOLDER TYPE.(QINGDA P/N:MCB-23MJ-XLXTX-17)

- \* PINS: 30u GOLD PLATED OVER NICKEL.
- \* SHELL: STEEL WITH GOLD FLASH .
- \* INSULATOR: BLACK COLOR P.B.T UL 94V-0 RATED.
- \* MOLDED BLACK PVC 45P.

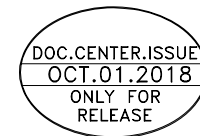
3.USB C/M:

- \* USB TYPE C MALE SOLDER TYPE.
- \* PINS: 30u GOLD PLATED OVER NICKEL.
- \* INSULATOR: BLACK THERMOPLASTIC UL 94V-0.
- \* SHELL: STEEL WITH GOLD FLASH.
- \* RESISTOR(5.1KΩ) AND CAPACITOR(10nF 30V).
- \* MOLDED: BLACK PVC 45P.

4.TEST: \* CT: 2 ohm IS: 5M ohm DC300V 0.1S.

5.PACKING: \* PACK EACH CABLE IN A POLY BAG AND 25PCS IN A POLY BAG.

6.MATERIAL: \* MATERIAL WITH RoHS GRADE.



TITLE USB3.0 Micro-BM TO USB3.1 C TYPE MALE RIGHT ANGLE RIGHT/LEFT				DRAWING NUMBER RR-MSCH-XXGRA				REV. A5	
---	--	--	--	---------------------------------	--	--	--	------------	--

	B	1:1	Lucas 12/28/15	Ray 12/28/15	Ray 12/28/15	X.X ± 0.5 X.XX ± 0.2	X.XXX ± 0.05 ANGLES ± 1°	mm	2/3
THIRD ANGLE PROJECTION	SIZE	SCALE	DRAW / DATE	CHECK / DATE	APPROVE / DATE	TOLERANCES		UNIT	SHEET

THE INFORMATION CONTAINED HEREIN IS THE PROPRIETARY INFORMATION OF RR BUSINESS VENTURES, LLC. THE POSSESSOR AGREES TO THE FOLLOWING

1. MAINTAIN THIS DOCUMENT IN CONFIDENCE
2. NOT TO REPRODUCE OR COPY IT
3. NOT TO REVEAL OR PUBLISH IT IN WHOLE OR IN PART

COPYRIGHT © 2019

1

2

3

4