

1

2

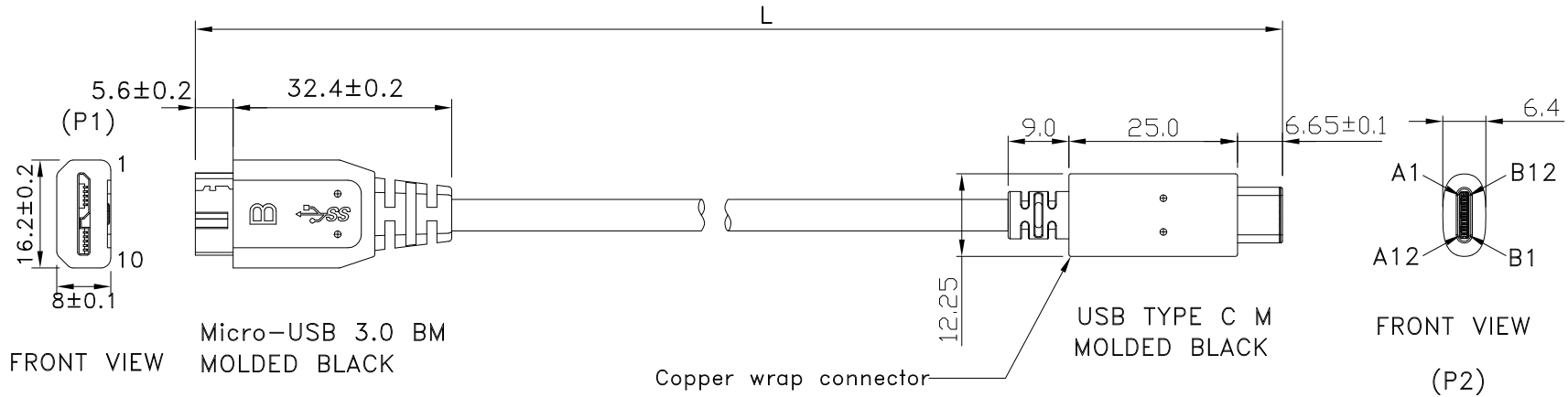
3

4

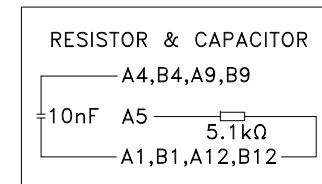
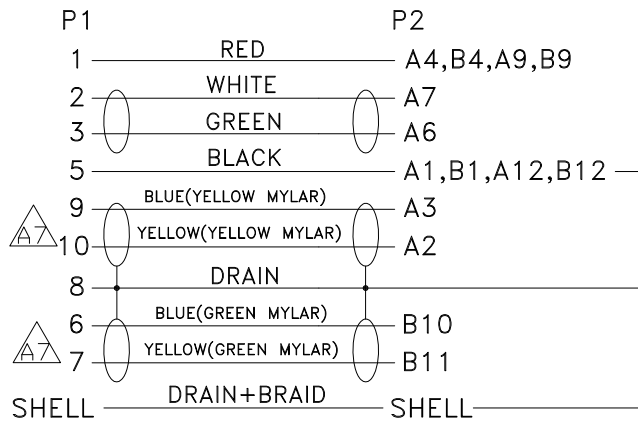
Note:

1.Type C AB面接點需跟圖面一致.

REV	ECN#	DESCRIPTION OF REVISION	DRAW BY DATE	CHECK BY DATE	APPROVE BY DATE
A7	ECN-190853	Change Wire&Mylar Color	Lucas 09/03/19	Lucas 09/03/19	Ray 09/03/19



PIN OUT



P/N	LENGTH
RR-MSCS-05GRA	127 ⁺²⁰ ₋₀
RR-MSCS-06GRA	153 ⁺²⁰ ₋₀
RR-MSCS-10GRA	255 ⁺²⁰ ₋₀
RR-MSCS-15GRA	381 ⁺³⁰ ₋₀
RR-MSCS-17GRA	432 ⁺³⁰ ₋₀
RR-MSCS-25GRA	635 ⁺³⁰ ₋₀
RR-MSCS-40GRA	1016 ⁺⁴⁰ ₋₀
RR-MSCS-98GRA	2489±50

TITLE USB3.0 Micro-BM TO USB3.1 C TYPE MALE					DRAWING NUMBER RR-MSCS-XXGRA			REV. A7	
DD NOT SCALE DRAWINGS	B	1:1	Lucas 11/27/15	Ray 11/27/15	Ray 11/27/15	X.X ± 0.5 X.XX ± 0.2	X.XXX ± 0.05 ANGLES ± 1°	mm	1/3
THIRD ANGLE PROJECTION	SIZE	SCALE	DRAW / DATE	CHECK / DATE	APPROVE / DATE	TOLERANCES		UNIT	SHEET

THE INFORMATION CONTAINED HEREIN IS THE PROPRIETARY INFORMATION OF RR BUSINESS VENTURES, LLC. THE POSSESSOR AGREES TO THE FOLLOWING:
 1. MAINTAIN THIS DOCUMENT IN CONFIDENCE
 2. NOT TO REPRODUCE OR COPY IT
 3. NOT TO REVEAL OR PUBLISH IT IN WHOLE OR IN PART

COPYRIGHT © 2019

1

2

3

4

1

2

3

4

REV	ECN#	DESCRIPTION OF REVISION	DRAW BY DATE	CHECK BY DATE	APPROVE BY DATE
A7	ECN-190853	Change Wire&Mylar Color	Lucas 09/03/19	Lucas 09/03/19	Ray 09/03/19

***CONSTRUCTION:

1.CABLE: * UL2725 (1P/30#+EAM)*2+(1P/30#)+(2C/24#)+AEB(AL)65% OD:5.0mm
BLACK PVC JACKET.

***CONNECTOR:

2.Micro-USB B/M: * MICRO-USB B "3.0" TYPE 10PIN MALE SOLDER TYPE.(QINGDA P/N:MCB-23MJ-XLXTX-17)

- * PINS: 30u GOLD PLATED OVER NICKEL.
- * SHELL: STEEL WITH GOLD FLASH .
- * INSULATOR: BLACK COLOR P.B.T UL 94V-0 RATED.
- * MOLDED BLACK PVC 45P.

3.USB C/M:

- * USB TYPE C MALE SOLDER TYPE.
- * PINS: 30u GOLD PLATED OVER NICKEL.
- * INSULATOR: BLACK THERMOPLASTIC UL 94V-0.
- * SHELL: STEEL WITH GOLD FLASH .
- * RESISTOR(5.1KΩ) AND CAPACITOR.
- * MOLDED: BLACK PVC 45P.

4.TEST:

* CT: 2 ohm IS: 5M ohm DC300V 0.1S.

5.PACKING:

* PACK EACH CABLE IN A POLY BAG AND 25PCS IN A POLY BAG.

6.MATERIAL:

* MATERIAL WITH RoHS GRADE.



TITLE USB3.0 Micro-BM TO USB3.1 C TYPE MALE						DRAWING NUMBER RR-MSCS-XXGRA			REV. A7
--	--	--	--	--	--	---------------------------------	--	--	------------

	B	1:1	Lucas 11/27/15	Ray 11/27/15	Ray 11/27/15	X.X ± 0.5 X.XX ± 0.2	X.XXX ± 0.05 ANGLES ± 1°	mm	2/3
THIRD ANGLE PROJECTION	SIZE	SCALE	DRAW / DATE	CHECK / DATE	APPROVE / DATE	TOLERANCES		UNIT	SHEET

THE INFORMATION CONTAINED HEREIN IS THE PROPRIETARY INFORMATION OF RR BUSINESS VENTURES, LLC. THE POSSESSOR AGREES TO THE FOLLOWING

1. MAINTAIN THIS DOCUMENT IN CONFIDENCE
2. NOT TO REPRODUCE OR COPY IT
3. NOT TO REVEAL OR PUBLISH IT IN WHOLE OR IN PART

COPYRIGHT © 2019

1

2

3

4

1

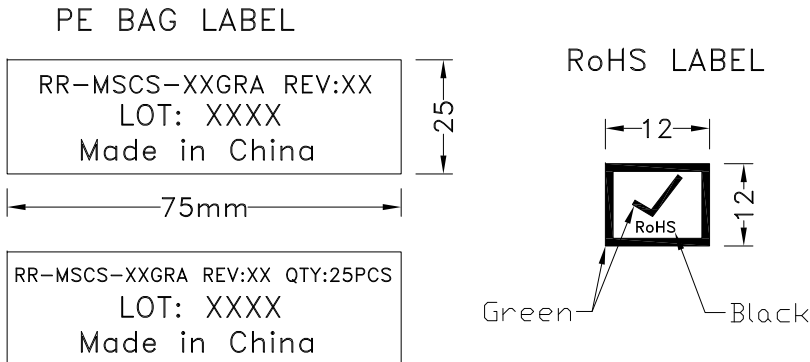
2

3

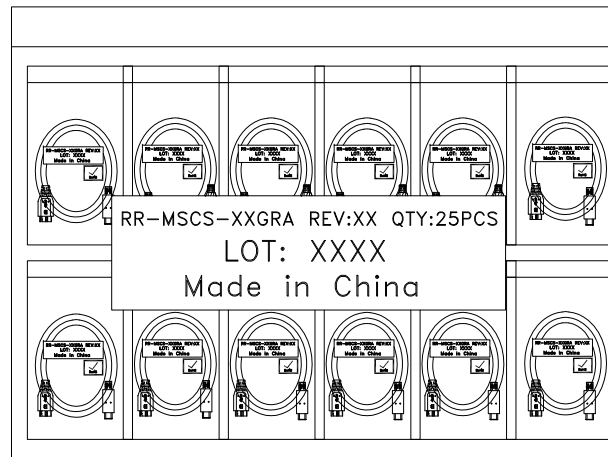
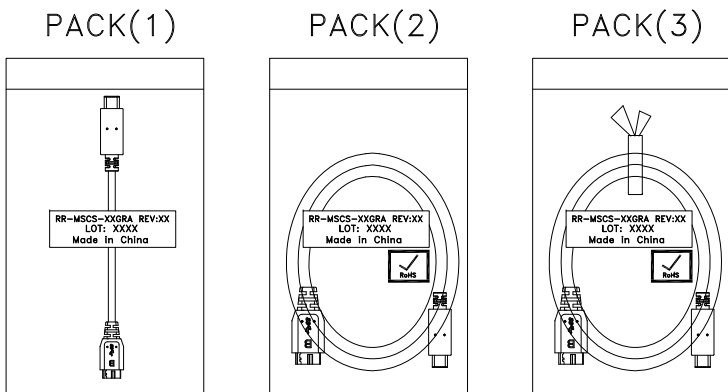
4

REV	ECN#	DESCRIPTION OF REVISION	DRAW BY DATE	CHECK BY DATE	APPROVE BY DATE
A7	ECN-190853	Change Wire&Mylar Color	Lucas 09/03/19	Lucas 09/03/19	Ray 09/03/19

P/N	LENGTH(mm)	PE BAG(Inch)	PACKAGE
RR-MSCS-05GRA	127 ⁺²⁰ ₋₀	5.5"*10	(1)
RR-MSCS-06GRA	153 ⁺²⁰ ₋₀	5.5"*10	(1)
RR-MSCS-10GRA	255 ⁺²⁰ ₋₀	5.5"*10	(2)
RR-MSCS-15GRA	381 ⁺³⁰ ₋₀	5.5"*10	(2)
RR-MSCS-17GRA	432 ⁺³⁰ ₋₀	5.5"*10	(2)
RR-MSCS-25GRA	635 ⁺³⁰ ₋₀	5.5"*10	(2)
RR-MSCS-40GRA	1016 ⁺⁴⁰ ₋₀	5.5"*10	(2)
RR-MSCS-98GRA	2489±50	5.5"*10	(3)



NOTES:PACK EACH CABLE IN A POLY BAG AND 25PCS IN A POLY BAG.



GTC
DOC.CENTER.ISSUE
AUG.11.2020
ONLY FOR
RELEASE

TITLE USB3.0 Micro-BM TO USB3.1 C TYPE MALE						DRAWING NUMBER RR-MSCS-XXGRA			REV. A7	
THIRD ANGLE PROJECTION	SIZE	SCALE	DRAW / DATE	CHECK / DATE	APPROVE / DATE	TOLERANCES		UNIT	SHEET	
DD NOT SCALE DRAWINGS	B	1:1	Lucas 11/27/15	Ray 11/27/15	Ray 11/27/15	X.X ± 0.5 X.XX ± 0.2	X.XXX ± 0.05 ANGLES ± 1°	mm	3/3	

THE INFORMATION CONTAINED HEREIN IS THE PROPRIETARY INFORMATION OF RR BUSINESS VENTURES, LLC. THE POSSESSOR AGREES TO THE FOLLOWING

1. MAINTAIN THIS DOCUMENT IN CONFIDENCE
2. NOT TO REPRODUCE OR COPY IT.
3. NOT TO REVEAL OR PUBLISH IT IN WHOLE OR IN PART

COPYRIGHT © 2019

1

2

3

4