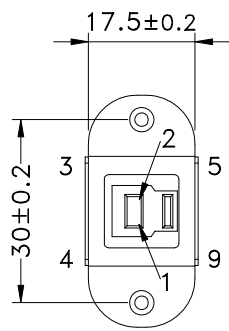
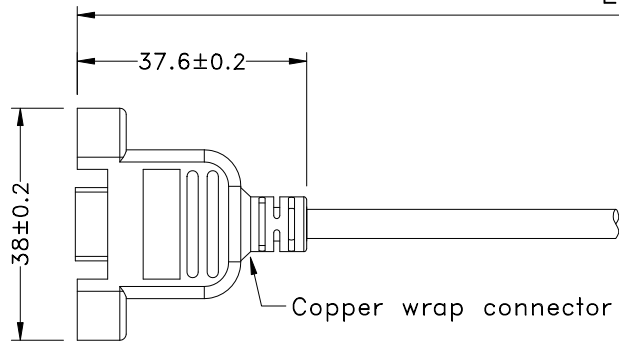


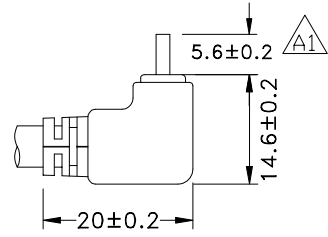
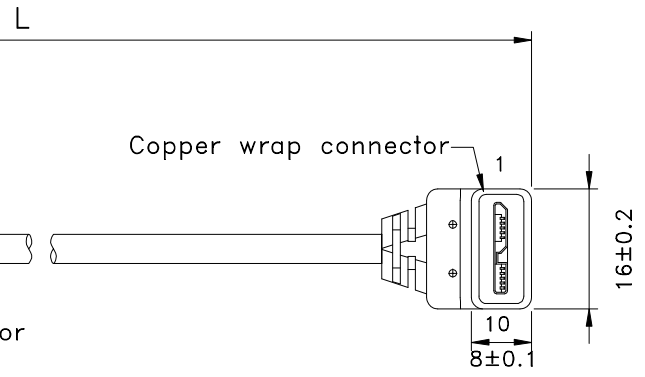
REV	ECN#	DESCRIPTION OF REVISION	DRAW BY DATE	CHECK BY DATE	APPROVE BY DATE
A1	ECN-180922	Modify Drawing	Lucas 10/03/18	Lucas 10/03/18	Ray 10/03/18



FRONT VIEW



USB B 3.0 FEMALE  
MOLDED BLACK



Micro USB BM  
RIGHT ANGLE UP  
MOLDED BLACK

GTC  
DOC.CENTER.ISSUE  
OCT.03.2018  
ONLY FOR  
RELEASE

PIN OUT

USB B F		Micro-USB BM
1	RED	1
2	WHITE	2
3	GREEN	3
4	BLACK	5
5	BLUE	6
6	YELLOW	7
7	DRAIN	8
8	PURPLE	9
9	ORANGE	10
	SHEEL	SHEEL

P/N	LENGTH
RR-MUBFPM-06GR	153 <sup>+20</sup> <sub>0</sub>
RR-MUBFPM-6.5GR	165 <sup>+20</sup> <sub>0</sub>
RR-MUBFPM-12.5GR	318 <sup>+20</sup> <sub>0</sub>
RR-MUBFPM-36GR	915 <sup>+40</sup> <sub>0</sub>

TITLE USB 3.0 B FEMALE TO Micro-BM RIGHT ANGLE UP				DRAWING NUMBER RR-MUBFPM-XXGR				REV. A1	
	B	1:1	Lucas 09/04/15	Ray 09/04/15	Ray 09/04/15	X.X ± 0.5 X.XX ± 0.2	X.XXX ± 0.05 ANGLES ± 1°	mm	1/3
THIRD ANGLE PROJECTION	SIZE	SCALE	DRAW / DATE	CHECK / DATE	APPROVE / DATE	TOLERANCES		UNIT	SHEET

THE INFORMATION CONTAINED HEREIN IS PROPRIETARY AND CONFIDENTIAL TO RR BUSINESS VENTURES, LLC. THE POSSESSOR AGREES TO THE FOLLOWING

1. MAINTAIN THIS DOCUMENT IN CONFIDENCE
2. NOT TO REPRODUCE OR COPY IT
3. NOT TO REVEAL OR PUBLISH IT IN WHOLE OR PART

1

2

3

4

REV	ECN#	DESCRIPTION OF REVISION	DRAW BY DATE	CHECK BY DATE	APPROVE BY DATE
A1	ECN-180922	Modify Drawing	Lucas 10/03/18	Lucas 10/03/18	Ray 10/03/18

\*\*\*CONSTRUCTION:

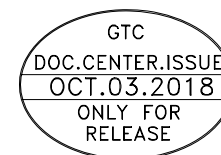
1.CABLE: \* UL2725 (1PR/28#+EAM)\*2+(1PR/28#+A)+2C/24#+AB85%  
OD:5.5mm BLACKE JACKET (REV:3.0)

\*\*\*CONNECTOR:

2.USB B/F: \* USB B "3.0" TYPE 9PIN FEMALE SOLDER TYPE. (XKJX P/N:CU3F043D16T00R)  
\* PINS: 30u GOLD PLATED OVER NICKEL.  
\* SHELL: STEEL WITH GOLD FLASH .  
\* INSULATOR: BLUE COLOR P.B.T UL 94V-0 RATED.  
\* SCREW: 5.0\*11mm, NUT:4.75x1.8mm #4-40UNC .  
\* MOLDED BLACK PVC 30P.

3.Micro-USB B/M: \* MICRO-USB B "3.0" TYPE 10PIN MALE SOLDER TYPE.(SWEETRAY P/N:CHMICROUSB3BM01E)  
\* PINS: 30u GOLD PLATED OVER NICKEL.  
\* SHELL: STEEL WITH GOLD FLASH .  
\* INSULATOR: BLACK COLOR P.B.T UL 94V-0 RATED.  
\* MOLDED BLACK PVC 45P.

4.TEST: \* CT: 2 ohm IS: 5M ohm DC300V/0.1S.  
5.PACKING: \* PACK EACH CABLE IN A POLY BAG AND 25PCS IN A POLY BAG.  
6.MATERIAL: \* MATERIAL WITH RoHS GRADE.



TITLE			DRAWING NUMBER			REV.	
USB 3.0 B FEMALE TO Micro-BM RIGHT ANGLE UP			RR-MUBFPM-XXGR			A1	

	B	1:1	Lucas 09/04/15	Ray 09/04/15	Ray 09/04/15	XX ± 0.5 X.XX ± 0.2	XXX ± 0.05 ANGLES ± 1°	mm	2/3
THIRD ANGLE PROJECTION	SIZE	SCALE	DRAW / DATE	CHECK / DATE	APPROVE / DATE	TOLERANCES		UNIT	SHEET

THE INFORMATION CONTAINED HEREIN IS PROPRIETARY AND CONFIDENTIAL TO RR BUSINESS VENTURES, LLC. THE POSSESSOR AGREES TO THE FOLLOWING

1. MAINTAIN THIS DOCUMENT IN CONFIDENCE
2. NOT TO REPRODUCE OR COPY IT
3. NOT TO REVEAL OR PUBLISH IT IN WHOLE OR PART

1

2

3

4