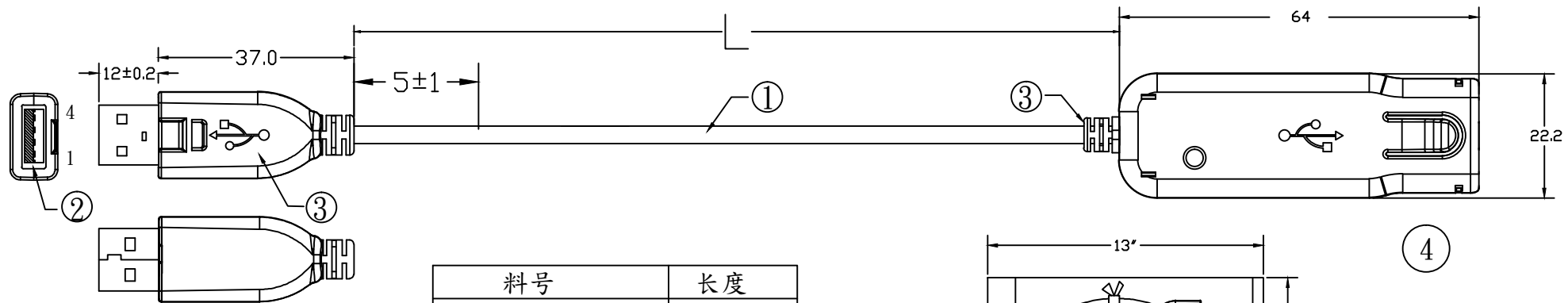
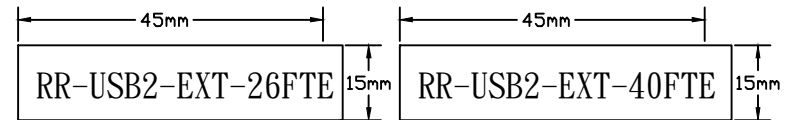
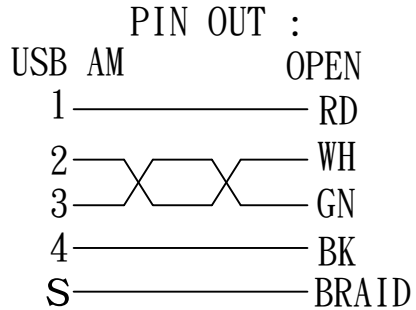
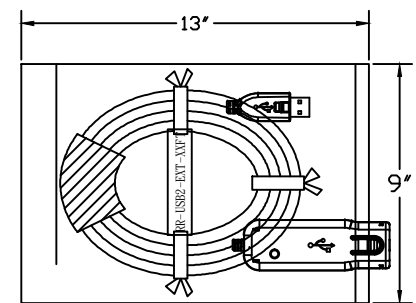


CHANGE VERSION	变更内容	C	10/03/01	改线材需加棉线及导体需绞铜	
A	09/06/17	REL	D	10/04/03	追加8M长度料号
B	10/01/07	加注扎线尺寸	E		



料号	长度
RR-USB2-EXT-26FTE	8000±90
RR-USB2-EXT-40FTE	12000±100



白底黑字料号贴纸



MATERIAL LIST :

NO. 序号	P/NAME 品名	DESCRIPTION 品名规格	Q'TY 数量
1	WIRE	AWM UL2725 80°C 30V VW-1 E138961	1
2	PLUG	USB"A" TYPE SOLDER TYPE WH INSULATER GOLD PLATED	1
3	PVC	45P BK (B792)PVC外模胶粒	1
4	ABS	奇美 ABS 707	1
			1

MOLD TOOL NO. 模具编号	 THE INFORMATION CONTAINED HEREIN IS THE PROPRIETARY INFORMATION OF RR BUSINESS VENTURES, LLC. THE POSSESSOR AGREES TO MAINTAIN THIS DOCUMENT IN CONFIDENCE; NOT REPRODUCE IT OR COPY IT, AND NOT TO REVEAL OR PUBLISH IT IN WHOLE OR PART. COPYRIGHT © 2019			DRAWN BY 工程绘图:
USB AM A110-574-001 SR C130-350-001	SCALE 比例:	UNIT 单位: MM	REV 修订: D	CHECKED BY 工程审核:
FILE NAME 文件名: OW0906067	CUSTOMER 客户: 陞鴻			CONFIRMED BY 业务审核:
DATE 日期: 10/06/28	CUSTOMER P/N 客户编号: RR-USB2-EXT-XXFT			CHECKED BY 品管审核:
				APPROVED BY 经理核准: