

1

2

3

4

Notes: (Unless Otherwise Specified)

- 1. Waterproof Rate: IP67.
- 2. Recommend USB Flash Drives: SanDisk P/N: SDCZ55 (12*5*45)

REV	ECN#	DESCRIPTION OF REVISION	DRAW BY DATE	CHECK BY DATE	APPROVE BY DATE
01			Joyce 08/19/15	Lucas 08/19/15	Ray 08/19/15

D

D

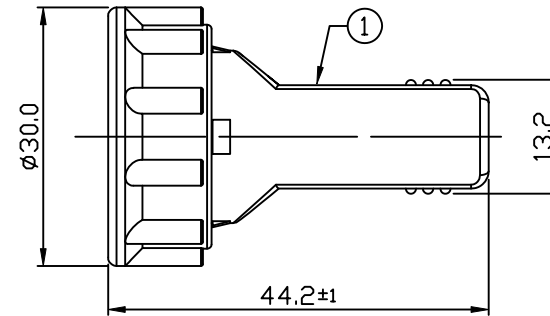
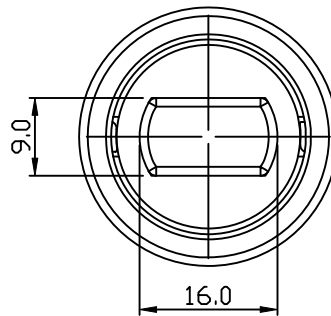
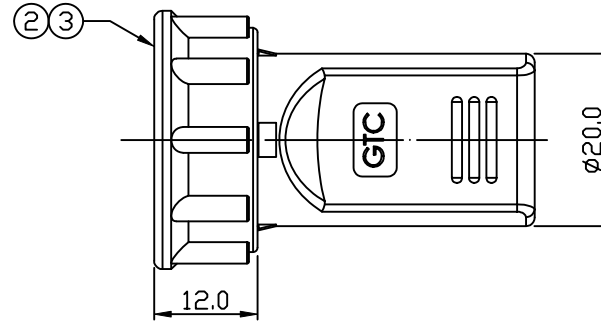
C

C

B

B

R&D DEPT. ISSUE
AUG.26.2015
ONLY FOR
RELEASE



3	Screw Nut	Thermoplastic Color: Black	1
2	Rubber Pad	Silicone Color: Black	1
1	Cover	Thermoplastic Color: Black	1
Item	Part Name	Material / Finish	Q'ty

A

A

TITLE						DRAWING NUMBER			REV.
C4 USB Flash Drives Cover Lock						RR-111280-00			01
	B	1:1	Joyce 08/19/15	Lucas 08/19/15	Ray 08/19/15	XX ± 0.5 X.XX ± 0.2	XXX ± 0.05 ANGLES ± 1°	mm	1/1
THIRD ANGLE PROJECTION	SIZE	SCALE	DRAW / DATE	CHECK / DATE	APPROVE / DATE	TOLERANCES		UNIT	SHEET

USBFIREWIRE.com

THE INFORMATION CONTAINED HEREIN IS PROPRIETARY AND CONFIDENTIAL TO RR BUSINESS VENTURES, LLC. THE POSSESSOR AGREES TO THE FOLLOWING

1. MAINTAIN THIS DOCUMENT IN CONFIDENCE
2. NOT TO REPRODUCE OR COPY IT
3. NOT TO REVEAL OR PUBLISH IT IN WHOLE OR PART

1

2

3

4