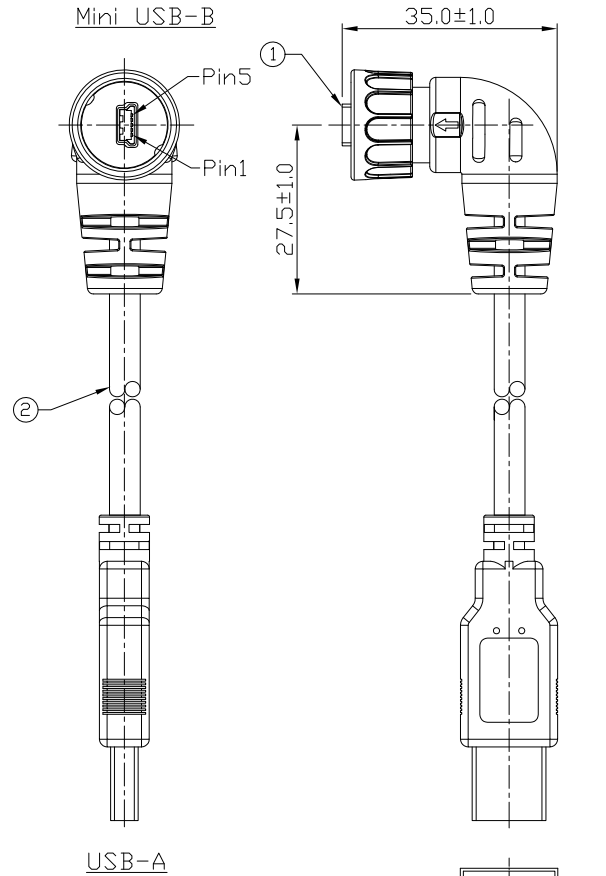
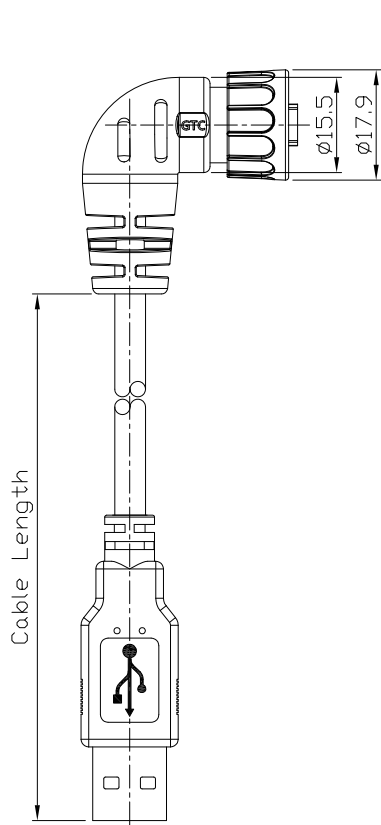
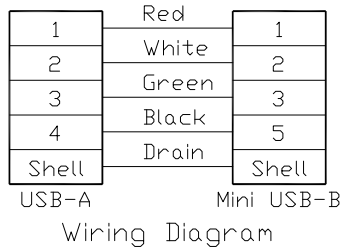


**Notes:** (Unless Otherwise Specified)

1. Waterproof Rate: IP68.
2. RoHS Compliant.
3. Pack Each Cable In A Poly Bag And 25pcs In A Poly Bag.

RR-114221-05-XX\_REV:XX\_QTY:1PCS  
**LOT: XXXX**  
**Made in XXXXX**

RR-114221-05-XX\_REV:XX\_QTY:25PCS  
**LOT: XXXX**  
**Made in XXXXX**



|                  |              |      |
|------------------|--------------|------|
| RR-114221-05-118 | 2997 mm      | +100 |
|                  |              |      |
|                  |              |      |
|                  |              |      |
| Part No.         | Cable Length | Tol. |

|      |  |  |     |
|------|--|--|-----|
| 2    | Cable  | UL2725 1P*28AWG+2C*24AWG+Al/My+D+B<br>Color: Black, OD=5.0mm | 1   |
| 1    | Mini USB-B Plastic C2 Cable End Left Angle Plug Lock | GT Contact<br>P/N: GT114229-05-XX                            | 1   |
| Item | Part Name  | Material / Finish  | QTY |

|  |      |       |                |                |                |                         |                             |      |       |  |
|--|------|-------|----------------|----------------|----------------|-------------------------|-----------------------------|------|-------|--|
| TITLE  |      |       |                |                |                | DRAWING NUMBER          |                             |      | REV.  |  |
| Mini USB-B Plastic C2 Cable End Left Angle Plug Lock With USB-A Plug |      |       |                |                |                | RR-114221-05-XX         |                             |      | A0    |  |
|  | B    | 1:1   | Lucas 02/03/25 | Lucas 02/03/25 | Ray 02/03/25   | X.X ± 0.5<br>X.XX ± 0.2 | X.XXX ± 0.05<br>ANGLES ± 1° | mm   | 1/1   |  |
| THIRD ANGLE PROJECTION   | SIZE | SCALE | DRAW / DATE    | CHECK / DATE   | APPROVE / DATE | TOLERANCES              |                             | UNIT | SHEET |  |

NOTICE OF PROPRIETARY PROPERTY:  
 THE INFORMATION CONTAINED HEREIN IS THE PROPRIETARY PROPERTY OF GT CONTACT CO.,LTD THE POSSESSOR AGREES TO THE FOLLOWING:  
 (i) TO MAINTAIN THIS DOCUMENT IN CONFIDENCE  
 (ii) NOT TO REPRODUCE OR COPY IT  
 (iii) NOT TO REVEAL OR PUBLISH IT IN WHOLE OR PART  
 (iv) ALL RIGHTS RESERVED