

Notes: (Unless Otherwise Specified)

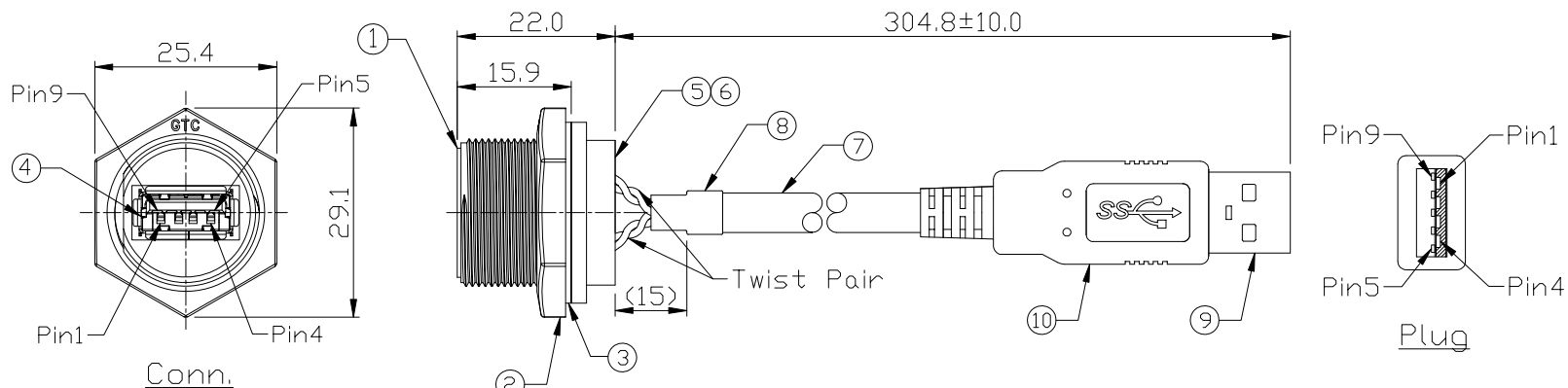
1. Waterproof Rate: IP67.
2. Recommend Panel Thickness: 0.8 to 6.0 mm.
3. Recommend Torque: 14~15 Kgf-cm.
4. Mating Cap P/N: GT1C5331X2.
5. RoHS Compliant.
6. 產品採用無Logo PE袋單PCS包裝, 並將標籤貼於袋外.

RR-118300-02-12\_REV:XX\_QTY:1PCS  
**LOT: XXXX**  
**Made in China**

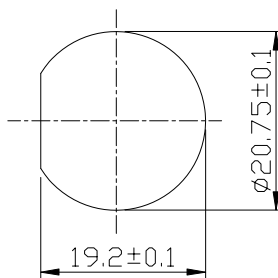
7. 每25PCS產品再用防水袋包裝, 並將標籤貼於袋外.

RR-118300-02-12\_REV:XX\_QTY:25PCS  
**LOT: XXXX**  
**Made in China**

8. 標籤上的REV: 請依照成品圖面版本.
9. 不可使用夾鍊袋.



10	Over Mold	PVC Color: Black	1
9	USB-A 3.0 Plug	Housing: Thermoplastic, Color: Blue Contacts: Copper Alloy, Finish: Au Plated Shell: SPCC, Finish: Ni Plated	1
8	Shrink Tube	L=15mm Color: Black	1
7	Cable	UL2725 (1P*28AWG+EAM)*2+(1PR*28AWG+A)+2C*22AWG+AB 85% Color: Black, DD=5.5m	1
6	Glue	Epoxy Color: Black	1
5	PCB	FR-4 Color: —	1
4	USB-A 3.0 Receptacle	Housing: Thermoplastic, Color: Blue Contacts: Copper Alloy, Finish: Ni Plated Shell: Copper Alloy, Finish: Ni Plated	1
3	Gasket	Silicone Color: Black	1
2	Hex Nut	Thermoplastic Color: Black	1
1	Housing	Thermoplastic Color: Black	1



Recommend  
Panel Cut-Out

1	Red	1
2	White	2
3	Green	3
4	Black	4
5	Blue	5
6	Yellow	6
7	Drain	7
8	Purple	8
9	Orange	9
Shell	Braid	Shell

Conn. Plug  
Wiring Diagram

TITLE: USB-A 3.0 Plastic C3 Panel Jack Screw With 12inches Cable + USB-A 3.0 Plug  
 DRAWING NUMBER: RR-118300-02-XX  
 REV: A0

THIRD ANGLE PROJECTION	SIZE: B	SCALE: 1:1	DRAW / DATE: Joyce 05/08/14	CHECK / DATE: Lucas 05/08/14	APPROVE / DATE: Ray 05/08/14	TOLERANCES: X.X ± 0.5, X.XX ± 0.2, X.XXX ± 0.05, ANGLES ± 1°	UNIT: mm	SHEET: 1/1
------------------------	---------	------------	-----------------------------	------------------------------	------------------------------	--	----------	------------

THE INFORMATION CONTAINED HEREIN IS THE PROPRIETARY INFORMATION OF RR BUSINESS VENTURES, LLC. THE POSSESSOR AGREES TO THE FOLLOWING:

1. MAINTAIN THIS DOCUMENT IN CONFIDENCE
2. NOT TO REPRODUCE OR COPY IT
3. NOT TO REVEAL OR PUBLISH IT IN WHOLE OR IN PART

COPYRIGHT © 2019