

1

2

3

4

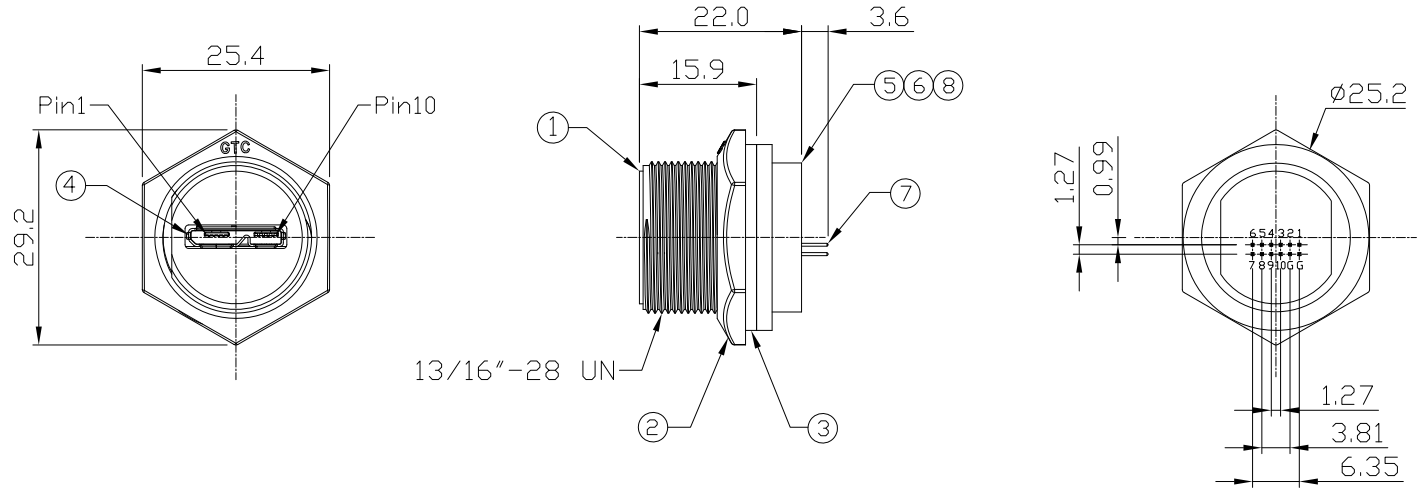
Notes: (Unless Otherwise Specified)

- 1. Waterproof Rate: IP68.
- 2. Recommend Panel Thickness: 0.8 to 5.0 mm.
- 3. Recommend Torque: 14~15 Kgf-cm.
- 4. Mating Cap P/N:RR-1C533122
- 5. RoHS Compliant.
- 6. 產品採用USB 10PCS吸塑盒包裝;並於吸塑盒上蓋貼上標籤

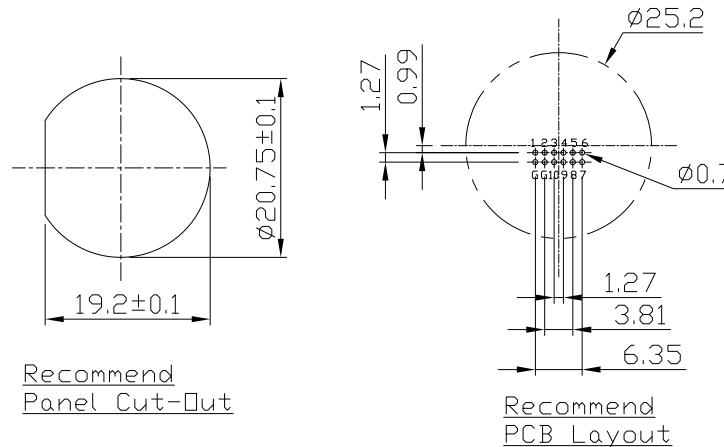
RR-119300-10-NBR_REV:XX_QTY:10PCS
LOT: XXXX
Made in China

7. 標籤上的REV: 請依照成品圖面版本

REV	ECN#	DESCRIPTION OF REVISION	DRAW BY DATE	CHECK BY DATE	APPROVE BY DATE
01			Lucas 09/23/19	Lucas 09/23/19	Ray 09/23/19



8	Hold	Silicone Color: Black	1
7	Pin Header	Housing: Thermoplastic, Color: Black Contacts: Copper Alloy, Finish: Au Plated	1
6	Glue	Epoxy Color: Black	
5	PCB	FR-4 Color: —	1
4	Micro USB-B 3.0 Receptacle	Housing: Thermoplastic, Color: Black Contacts: Copper Alloy, Finish: Au Plated Shell: Copper Alloy, Finish: Ni Plated	1
3	Gasket	NBR Color: Black	1
2	Hex Nut	Thermoplastic Color: Black	1
1	Housing	Thermoplastic Color: Black	1
Item	Part Name	Material / Finish	Q'ty



GTC
 DOC.CENTER.ISSUE
 SEP.23.2019
 ONLY FOR
 RELEASE

TITLE						DRAWING NUMBER			REV.	
Micro USB-B 3.0 Plastic C3 Panel Jack Screw Dip						RR-119300-10-NBR			01	
DD NOT SCALE DRAWINGS	B	1:1	Lucas 09/23/19	Lucas 09/23/19	Ray 09/23/19	X.X ± 0.5 X.XX ± 0.2	X.XXX ± 0.05 ANGLES ± 1°	mm	1/1	
THIRD ANGLE PROJECTION	SIZE	SCALE	DRAW / DATE	CHECK / DATE	APPROVE / DATE	TOLERANCES		UNIT	SHEET	

USB FIREWIRE.com

THE INFORMATION CONTAINED HEREIN IS THE PROPRIETARY INFORMATION OF RR BUSINESS VENTURES, LLC. THE POSSESSOR AGREES TO THE FOLLOWING

1. MAINTAIN THIS DOCUMENT IN CONFIDENCE
2. NOT TO REPRODUCE OR COPY IT
3. NOT TO REVEAL OR PUBLISH IT IN WHOLE OR IN PART

COPYRIGHT © 2019

1

2

3

4