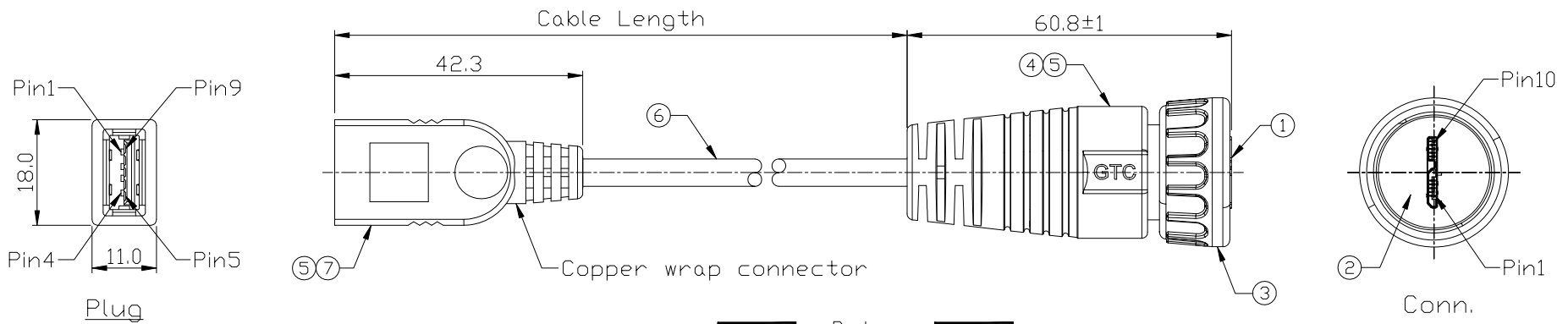


Notes: (Unless Otherwise Specified)

- Waterproof Rate: IP67.
- RoHS Compliant.

REV	ECN#	DESCRIPTION OF REVISION	DRAW BY DATE	CHECK BY DATE	APPROVE BY DATE
01			Karen 12/14/15	Lucas 12/14/15	Ray 12/14/15

R&D DEPT. ISSUE  
DEC. 14. 2015  
ONLY FOR  
RELEASE



1	Red	1
2	White	2
3	Green	3
4	Black	5
5	Blue	6
6	Yellow	7
7	Drain	8
8	Purple	9
9	Orange	10
Shell	Braid	Shell

Wiring Diagram

RR-119320-03-120	3048 mm	±150
RR-119320-03-78	1981 mm	±100
RR-119320-03-40	1016 mm	±50
Part No.	Cable Length	Tol.

7	USB-A 3.0 Receptacle	Housing: Thermoplastic, Color: Blue Contacts: Copper Alloy, Finish: Au Plated Shell: Copper Alloy, Finish: Au Plated	1
6	Cable	UL2725 (1P*28AWGEM)*2+(1PR*28AWG+A)+2C*24AWG+AB 85% Color: Black, DD=5.5mm	1
5	Over Mold	PVC Color: Black	2
4	Inner Mold	Thermoplastic Color: Black	1
3	Screw Nut	Thermoplastic Color: Black	1
2	Rubber Pad	Silicone Color: Black	1
1	Micro USB-B 3.0 Plug	Housing: Thermoplastic, Color: Black Contacts: Copper Alloy, Finish: Au Plated Shell: Cold Roll Steel, Finish: Au Plated	1
Item	Part Name	Material / Finish	Q'ty

[www.USBFireWire.com](http://www.USBFireWire.com)

NOTICE OF PROPRIETARY PROPERTY:  
THE INFORMATION CONTAINED HEREIN IS THE PROPRIETARY PROPERTY OF USBFIREWIRE.COM THE POSSESSOR AGREES TO THE FOLLOWING:  
© TO MAINTAIN THIS DOCUMENT IN CONFIDENCE  
© NOT TO REPRODUCE OR COPY IT  
© NOT TO REVEAL OR PUBLISH IT IN WHOLE OR PART

TITLE				DRAWING NUMBER			REV.		
Micro USB-B 3.0 Plastic C3 Cable End Plug Screw With USB-A 3.0 Receptacle				RR-119320-03-XX			01		
THIRD ANGLE PROJECTION	B	1:1	Karen 12/14/15	Lucas 12/14/15	Ray 12/14/15	X.X ± 0.5 X.XX ± 0.2	X.XXX ± 0.05 ANGLES ± 1°	mm	1/1
THIRD ANGLE PROJECTION	SIZE	SCALE	DRAW / DATE	CHECK / DATE	APPROVE / DATE	TOLERANCES		UNIT	SHEET