

Notes: (Unless Otherwise Specified)

1. Waterproof Rate : IP68.
2. Recommend Panel Thickness : 0.8 to 3.0 mm.
3. Recommend Torque: 9~10 Kgf-cm.
4. Mating Cap P/N: RR-1C5121X2
5. RoHS&REACH Compliant.
6. 產品採用無Logo PE袋單PCS包裝,並將標籤貼於袋外.

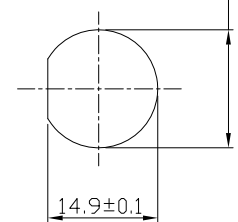
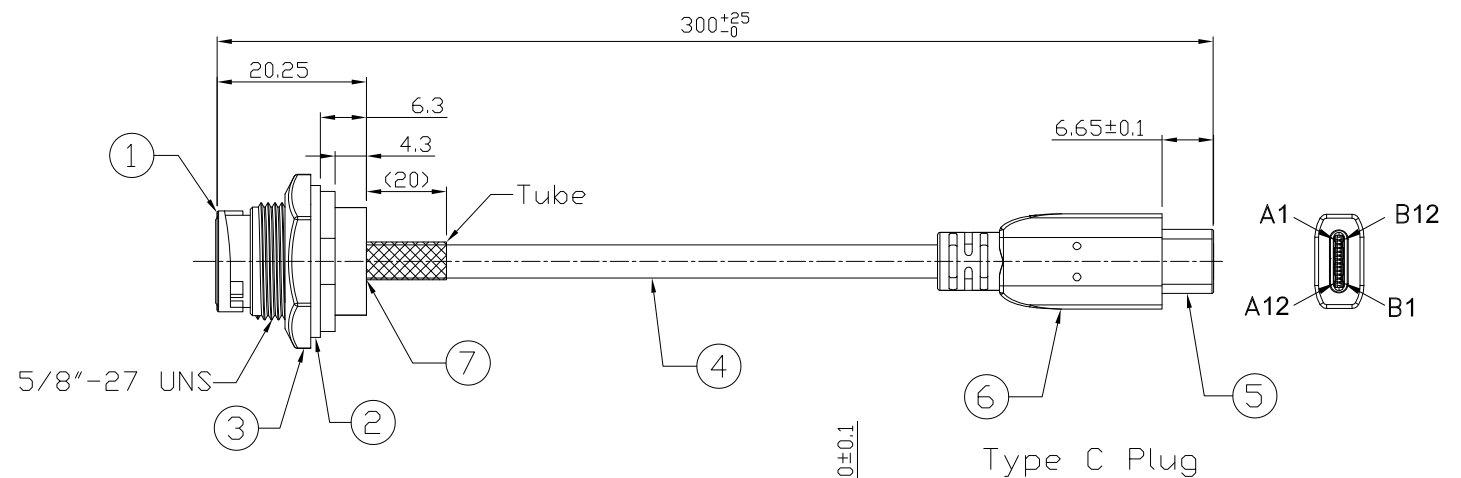
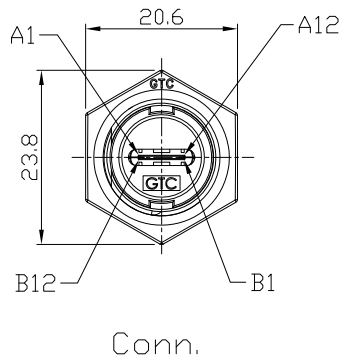
RR-11C200-01-12_REV:XX_QTY:1PCS
LOT: XXXX
Made in China

7. 每25PCS產品再用防水袋包裝,並將標籤貼於袋外.

RR-11C200-01-12_REV:XX_QTY:25PCS
LOT: XXXX
Made in China

8. 標籤上的REV: 請依照成品圖面版本.
9. 不可使用夾鍊袋

REV	ECN#	DESCRIPTION OF REVISION	DRAW BY DATE	CHECK BY DATE	APPROVE BY DATE
01			Lucas 11/22/16	Lucas 11/22/16	Ray 11/22/16



Recommend Panel Cut-Out

R&D DEPT. ISSUE
NOV.22.2016
 ONLY FOR RELEASE

7	Glue	Epoxy Color: Black	
6	Over Mold	PVC Color: Black	1
5	USB Type C 3.1	Housing: Thermoplastic, Color: Black Contacts: Copper Alloy, Finish: Au Plated Shell: Stainless Steel, Finish: Ni Plated	1
4	Cable	UL2725(1P/32#+EAM)*4+(1P/32#)+(4C/32#)+(2C/26#+2C/DRAIN(26#)) +CONDUCTIVE FILM+B85% DD-4.8mm BLACK PVC JACKET.	1
3	Hex Nut	Thermoplastic Color: Black	1
2	Gasket	Silicone Color: Black	1
1	Housing	Thermoplastic Color: Black	1
Item	Part Name	Material / Finish	Qty

TITLE						DRAWING NUMBER			REV.	
USB 3.1 Type C Plastic C2 Panel Jack Lock With Type C Plug						RR-11C200-01-XX			01	
	B	1:1	Lucas 11/22/16	Lucas 11/22/16	Ray 11/22/16	X.X ± 0.5 X.XX ± 0.2	X.XXX ± 0.05 ANGLES ± 1°	mm	1/3	
THIRD ANGLE PROJECTION	SIZE	SCALE	DRAW / DATE	CHECK / DATE	APPROVE / DATE	TOLERANCES		UNIT	SHEET	

THE INFORMATION CONTAINED HEREIN IS THE PROPRIETARY INFORMATION OF RR BUSINESS VENTURES, LLC. THE POSSESSOR AGREES TO THE FOLLOWING

1. MAINTAIN THIS DOCUMENT IN CONFIDENCE
2. NOT TO REPRODUCE OR COPY IT
3. NOT TO REVEAL OR PUBLISH IT IN WHOLE OR IN PART

COPYRIGHT © 2019

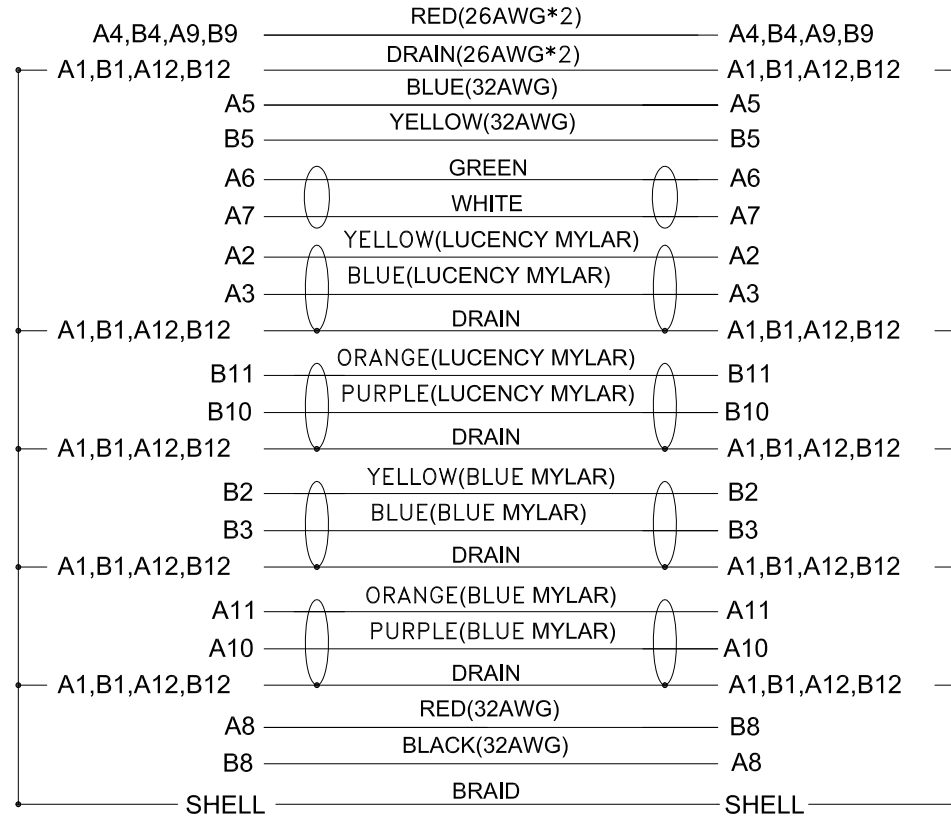
1

2

3

4

REV	ECN#	DESCRIPTION OF REVISION	DRAW BY DATE	CHECK BY DATE	APPROVE BY DATE
01			Lucas 11/22/16	Lucas 11/22/16	Ray 11/22/16



Conn.

Type C Plug

Wiring Diagram

R&D DEPT. ISSUE
 NOV.22.2016
 ONLY FOR
 RELEASE

A

A

TITLE USB 3.1 Type C Plastic C2 Panel Jack Lock With Type C Plug					DRAWING NUMBER RR-11C200-01-XX			REV. 01	
	B	1:1	Lucas 11/22/16	Lucas 11/22/16	Ray 11/22/16	X.X ± 0.5 X.XX ± 0.2	X.XXX ± 0.05 ANGLES ± 1°	mm	2/3
THIRD ANGLE PROJECTION	SIZE	SCALE	DRAW / DATE	CHECK / DATE	APPROVE / DATE	TOLERANCES		UNIT	SHEET



THE INFORMATION CONTAINED HEREIN IS THE PROPRIETARY INFORMATION OF RR BUSINESS VENTURES, LLC. THE POSSESSOR AGREES TO THE FOLLOWING
 1. MAINTAIN THIS DOCUMENT IN CONFIDENCE
 2. NOT TO REPRODUCE OR COPY IT
 3. NOT TO REVEAL OR PUBLISH IT IN WHOLE OR IN PART

COPYRIGHT © 2019

1

2

3

4

1

2

3

4

REV	ECN#	DESCRIPTION OF REVISION	DRAW BY DATE	CHECK BY DATE	APPROVE BY DATE
01			Lucas 11/22/16	Lucas 11/22/16	Ray 11/22/16

*****CONSTRUCTION:**

1.CABLE:

* UL2725(1P/32#+EAM)*4+(1P/32#)+(4C/32#)+(2C/26#+2C/DRAIN(26#))
+CONDUCTIVE FILM+B85% OD:4.8mm BLACK PVC JACKET.

*****CONNECTOR:**

2.USB C/M:

- * USB TYPE C MALE SOLDER TYPE,PCB WIHTOUT IC, DEREN OR EQUIVALENT.
- * PINS: COPPER ALLOY WITH GOLD FLASH.
- * INSULATOR: BLACK THEMOPLASTIC 94V-0 RATED.
- * SHELL: STEEL WITH NICKEL PALTED.
- * CAPACITOR(10nF 30V).
- * MOLDED: BLACK PVC 45P.

3.USB C/F:

- * USB TYPE C FEMALE SOLDER TYPE,PCB WIHTOUT IC, XINERCHANG OR EQUIVALENT.
- * PINS: COPPER ALLOY WITH GOLD FLASH.
- * INSULATOR: BLACK COLOR LCP 94V-0 RATED.
- * SHELL: STEEL WITH NICKEL FLASH.

4.TEST:

* CT: 2 ohm IS: 5M ohm



TITTLE USB 3.1 Type C Plastic C2 Panel Jack Lock With Type C Plug						DRAWING NUMBER RR-11C200-01-XX			REV. 01	
	B	1:1	Lucas 11/22/16	Lucas 11/22/16	Ray 11/22/16	X.X ± 0.5 X.XX ± 0.2	X.XXX ± 0.05 ANGLES ± 1°	mm	3/3	
THIRD ANGLE PROJECTION	SIZE	SCALE	DRAW / DATE	CHECK / DATE	APPROVE / DATE	TOLERANCES		UNIT	SHEET	

THE INFORMATION CONTAINED HEREIN IS THE PROPRIETARY INFORMATION OF RR BUSINESS VENTURES, LLC. THE POSSESSOR AGREES TO THE FOLLOWING

1. MAINTAIN THIS DOCUMENT IN CONFIDENCE
2. NOT TO REPRODUCE OR COPY IT
3. NOT TO REVEAL OR PUBLISH IT IN WHOLE OR IN PART

COPYRIGHT © 2019

1

2

3

4