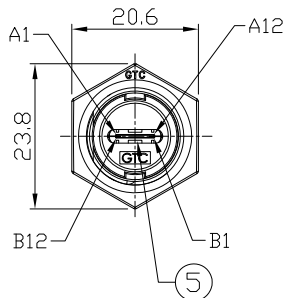
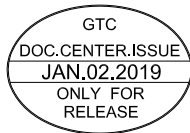


Notes: (Unless Otherwise Specified)

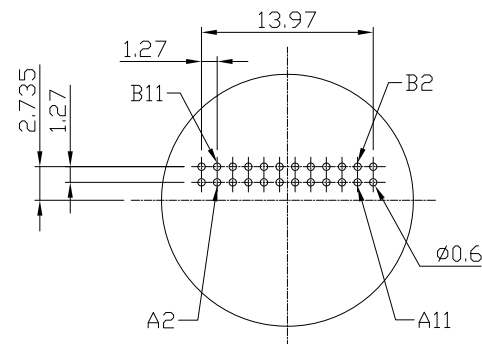
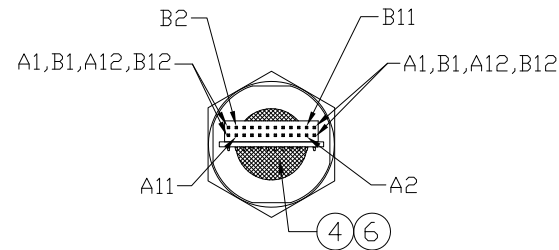
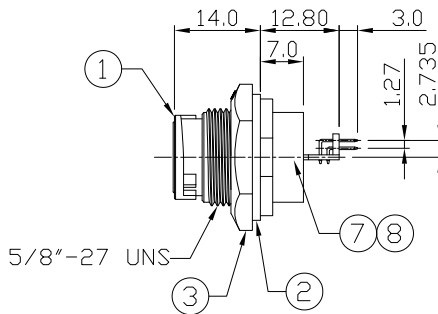
- 1. Waterproof Rate: IP68.
- 2. Recommend Panel Thickness : 0.8 to 3.0 mm.
- 3. Recommend Torque: 9~10 Kgf-cm.
- 4. Mating Cap P/N: **RR-1C522122**
- 5. RoHS Compliant.
- 6. 產品採用**USB 10PCS**吸塑盒包裝,並於吸塑盒上蓋貼上標籤.

RR-11C200-10\_REV:XX\_QTY:10PCS  
**LOT: XXXX**  
**Made in China**

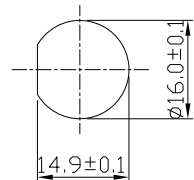
7. 標籤上的REV: 請依照成品圖面版本.



Conn.



Recommend PCB Layout (Scale 2/1)



Recommend Panel Cut-Out

8	Pin Header	Housing: Thermoplastic, Color: Black Contacts: Copper Alloy, Finish: Au Plated	1
7	PCB	FR-4 Color: -	1
6	Glue	Epoxy Color: Black	
5	USB Type C 3.1	Housing: Thermoplastic, Color: Black Contacts: Copper Alloy, Finish: Au 30u' Plated Shell: Stainless Steel, Finish: Au Plated	1
4	Hold	Silicone Color: Black	1
3	Hex Nut	Thermoplastic Color: Black	1
2	Gasket	Silicone Color: Black	1
1	Housing	Thermoplastic Color: Black	1
Item	Part Name	Material / Finish	Q'ty

TITLE USB 3.1 Type C Plastic C2 Panel Jack Lock Dip						DRAWING NUMBER RR-11C200-10			REV. 01	
THIRD ANGLE PROJECTION	SIZE B	SCALE 1:1	DRAW / DATE Lucas 01/02/19	CHECK / DATE Lucas 01/02/19	APPROVE / DATE Ray 01/02/19	TOLERANCES X.X ± 0.5 X.XX ± 0.2		UNIT mm		SHEET 1/1
						TOLERANCES X.XXX ± 0.05 ANGLES ± 1°		UNIT mm	SHEET 1/1	

**GT Contact CO.,LTD**

NOTICE OF PROPRIETARY PROPERTY:  
 THE INFORMATION CONTAINED HEREIN IS THE PROPRIETARY PROPERTY OF GT Contact CO.,LTD THE POSSESSOR AGREES TO THE FOLLOWING:  
 (i) TO MAINTAIN THIS DOCUMENT IN CONFIDENCE  
 (ii) NOT TO REPRODUCE OR COPY IT  
 (iii) NOT TO REVEAL OR PUBLISH IT IN WHOLE OR PART  
 (iv) ALL RIGHTS RESERVED