

Notes: (Unless Otherwise Specified)

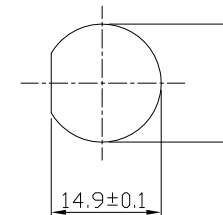
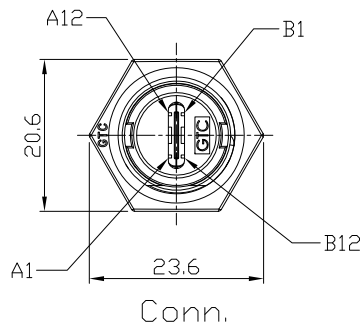
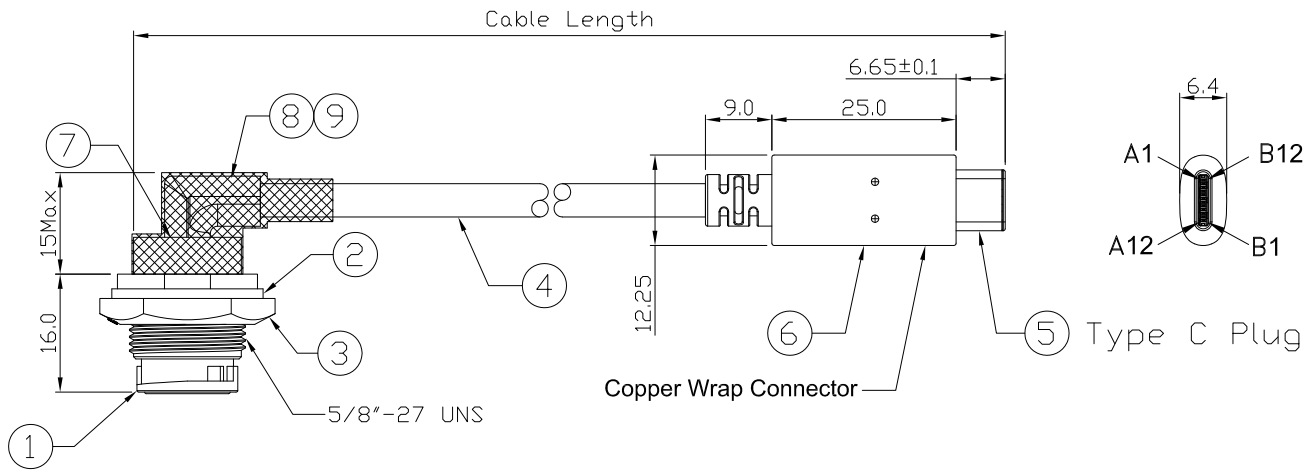
1. Waterproof Rate : IP68.
2. Recommend Panel Thickness : 0.8 to 3.0 mm.
3. Recommend Torque: 9~10 Kgf-cm.
4. Mating Cap P/N: RR-1C121022.
5. RoHS Compliant.
6. 產品採用無Logo PE袋單PCS包裝,並將標籤貼於袋外.
7. 每25PCS產品再用防水袋包裝,並將標籤貼於袋外.
8. 標籤上的REV: 請依照成品圖面版本.
9. 不可使用夾鍊袋
10. Type C AB面接點需跟圖面一致.
11. UL Certification file #E364108.

RR-11C209-01-XX_REV_XX_QTY:1PCS
LOT: XXXX
Made in China

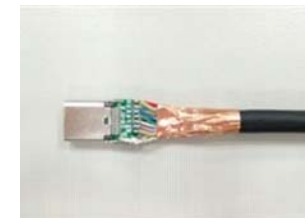
RR-11C209-01-XX_REV_XX_QTY:25PCS
LOT: XXXX
Made in China

GTC
 DOC.CENTER.ISSUE
 AUG.25.2020
 ONLY FOR
 RELEASE

REV	ECN#	DESCRIPTION OF REVISION	DRAW BY DATE	CHECK BY DATE	APPROVE BY DATE
05	ECN-200819	Modify Drawing	Lucas 08/24/20	Lucas 08/24/20	Ray 08/24/20



Recommend
Panel Cut-Out



編織需跟雙面導電銅箔導通跟PCB板距離4~5mm

9	Shrink Tube	L=30mm, Heat Shrink Tube With Adhesive Lined Color: Black	1
8	Shrink Tube	L=20mm, Heat Shrink Tube With Adhesive Lined Color: Black	1
7	Glue	Epoxy Color: Black	
6	Over Mold	PVC Color: Black	1
5	USB Type C 3.1	Housing: Thermoplastic, Color: Black Contacts: Copper Alloy, Finish: Au Plated Shell: Stainless Steel, Finish: Au Plated	1
4	Cable	UL21572 (1P/32#+EAM)*4+(1P/32#+A)+(4C/32#)+(1C/24#)+2EAB 85% OD:4.8mm BLACK TPE JACKET.	1
3	Hex Nut	Thermoplastic Color: Black	1
2	Gasket	Silicone Color: Black	1
1	Housing	Thermoplastic Color: Black	1
Item	Part Name	Material / Finish	Qty

RR-11C209-01-15	381 mm	+25
RR-11C209-01-12	305 mm	+25
Part No.	Cable Length	Tol.

TITLE						DRAWING NUMBER			REV.
USB 3.1 Type C Plastic C2 Panel Jack Lock Down Angle With Type C Plug						RR-11C209-01-XX			05
DD NOT SCALE DRAWINGS	B	1:1	Viola 03/23/18	Lucas 03/23/18	Ray 03/23/18	X.X ± 0.5 X.XX ± 0.2	X.XXX ± 0.05 ANGLES ± 1°	mm	1/3
THIRD ANGLE PROJECTION	SIZE	SCALE	DRAW / DATE	CHECK / DATE	APPROVE / DATE	TOLERANCES		UNIT	SHEET

USB FIREWIRE.com

THE INFORMATION CONTAINED HEREIN IS PROPRIETARY AND CONFIDENTIAL TO RR BUSINESS VENTURES, LLC. THE POSSESSOR AGREES TO THE FOLLOWING

1. MAINTAIN THIS DOCUMENT IN CONFIDENCE
2. NOT TO REPRODUCE OR COPY IT
3. NOT TO REVEAL OR PUBLISH IT IN WHOLE OR PART

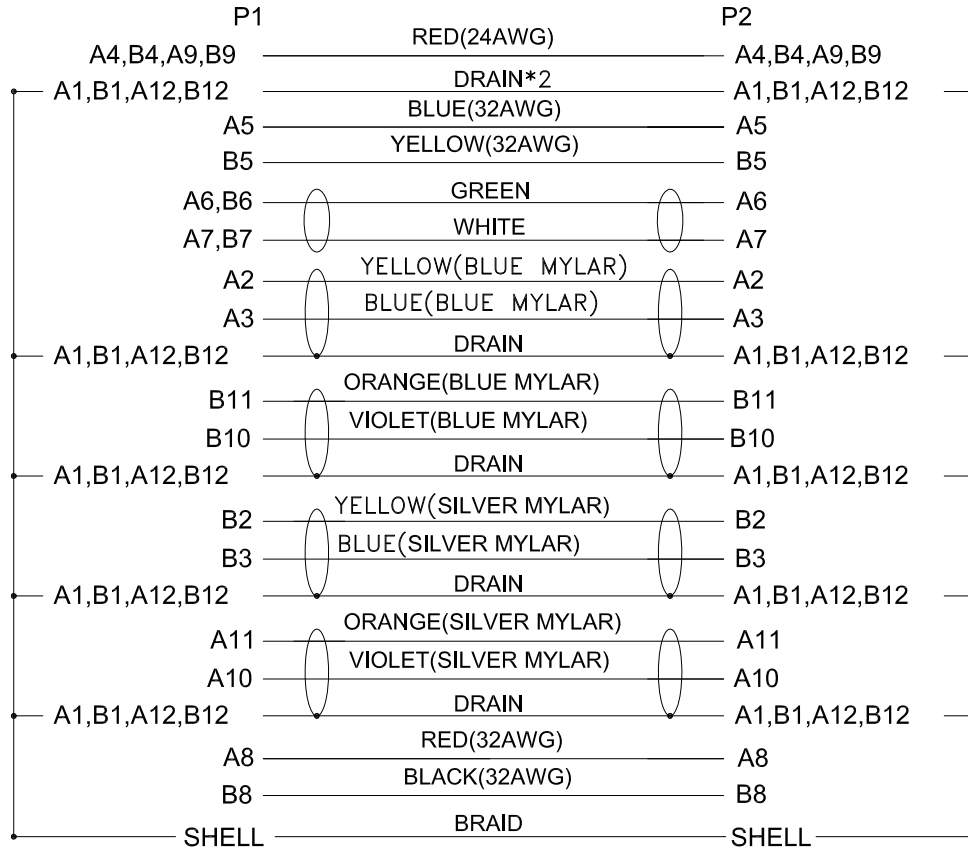
1

2

3

4

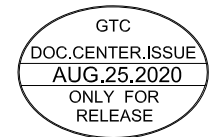
REV	ECN#	DESCRIPTION OF REVISION	DRAW BY DATE	CHECK BY DATE	APPROVE BY DATE
05	ECN-200819	Modify Drawing	Lucas 08/24/20	Lucas 08/24/20	Ray 08/24/20



Conn.

Type C Plug

Wiring Diagram



TITLE USB 3.1 Type C Plastic C2 Panel Jack Lock Down Angle With Type C Plug						DRAWING NUMBER RR-11C209-01-XX			REV. 05
--------------------------------------------------------------------------------	--	--	--	--	--	-----------------------------------	--	--	------------

	B	1:1	Viola 03/23/18	Lucas 03/23/18	Ray 03/23/18	X.X ± 0.5 X.XX ± 0.2	X.XXX ± 0.05 ANGLES ± 1°	mm	2/3
THIRD ANGLE PROJECTION	SIZE	SCALE	DRAW / DATE	CHECK / DATE	APPROVE / DATE	TOLERANCES		UNIT	SHEET

THE INFORMATION CONTAINED HEREIN IS PROPRIETARY AND CONFIDENTIAL TO RR BUSINESS VENTURES, LLC. THE POSSESSOR AGREES TO THE FOLLOWING

1. MAINTAIN THIS DOCUMENT IN CONFIDENCE
2. NOT TO REPRODUCE OR COPY IT
3. NOT TO REVEAL OR PUBLISH IT IN WHOLE OR PART

1

2

3

4

1

2

3

4

REV	ECN#	DESCRIPTION OF REVISION	DRAW BY DATE	CHECK BY DATE	APPROVE BY DATE
05	ECN-200819	Modify Drawing	Lucas 08/24/20	Lucas 08/24/20	Ray 08/24/20

***CONSTRUCTION:

1.CABLE:

* UL21572(1P/32#+EAM)*4+(1P/32#+A)+(4C/32#)+(1C/24#)+2EAB 85%
OD:4.8mm BLACK TPE JACKET.

***CONNECTOR:

2.USB C/M:

* USB TYPE C MALE SOLDER TYPE,PCB WITHOUT IC,
* PINS: 30u GOLD PLATED OVER NICKEL.
* INSULATOR: BLACK THEMOPLASTIC 94V-0 RATED.
* SHELL: STEEL WITH GOLD PALTED.
* CAPACITOR.
* MOLDED: BLACK PVC 45P.

3.USB C/F:

* USB TYPE C FEMALE SOLDER TYPE,PCB WITHOUT IC,
* PINS: 30u GOLD PLATED OVER NICKEL.
* INSULATOR: BLACK COLOR LCP 94V-0 RATED.
* SHELL: STEEL WITH GOLD FLASH.

4.TEST:

* CT: 2 ohm IS: 5M ohm



TITLE USB 3.1 Type C Plastic C2 Panel Jack Lock Down Angle With Type C Plug					DRAWING NUMBER RR-11C209-01-XX			REV. 05
--------------------------------------------------------------------------------	--	--	--	--	-----------------------------------	--	--	------------

	B	1:1	Viola 03/23/18	Lucas 03/23/18	Ray 03/23/18	X.X ± 0.5 X.XX ± 0.2	X.XXX ± 0.05 ANGLES ± 1°	mm	3/3
THIRD ANGLE PROJECTION	SIZE	SCALE	DRAW / DATE	CHECK / DATE	APPROVE / DATE	TOLERANCES		UNIT	SHEET

THE INFORMATION CONTAINED HEREIN IS PROPRIETARY AND CONFIDENTIAL TO RR BUSINESS VENTURES, LLC. THE POSSESSOR AGREES TO THE FOLLOWING

1. MAINTAIN THIS DOCUMENT IN CONFIDENCE
2. NOT TO REPRODUCE OR COPY IT
3. NOT TO REVEAL OR PUBLISH IT IN WHOLE OR PART

1

2

3

4