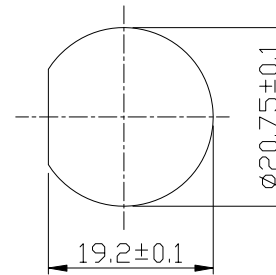
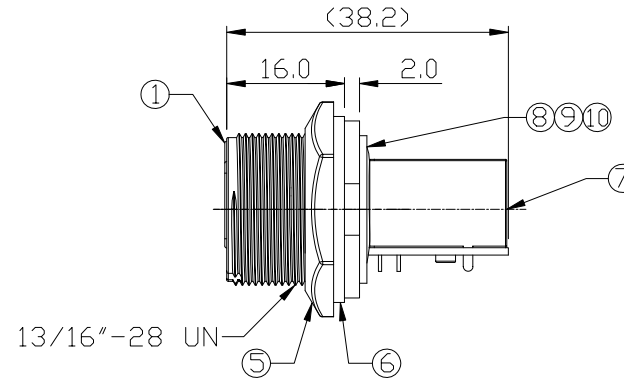
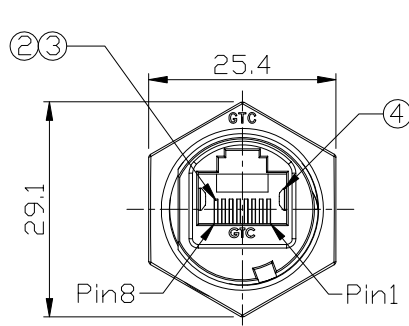


Notes: (Unless Otherwise Specified)

- 1. Waterproof Rate: IP67.
- 2. Recommend Panel Thickness: 0.8 to 4.0 mm.
- 3. Recommend Torque: 14.0~15.0 Kgf-cm.
- 4. RoHS Compliant.

| REV | ECN#       | DESCRIPTION OF REVISION | DRAW BY DATE   | CHECK BY DATE  | APPROVE BY DATE |
|-----|------------|-------------------------|----------------|----------------|-----------------|
| A0  |            | Mass Production         | Joyce 01/07/13 | Lucas 01/07/13 | Ray 01/07/13    |
| A1  | ECN-130705 | Modified PCB            | Joyce 07/03/13 | Lucas 07/03/13 | Ray 07/03/13    |

**DOC.CENTER.ISSUE**  
**JUL.08.2013**  
**ONLY FOR**  
**RELEASE**



Recommend  
Panel Cut-Out

| 10   | Glue               | Epoxy<br>Color: Black   |      |
|------|--------------------|---|------|
| 9    | PCB                | FR-4<br>Color: -  | 1    |
| 8    | Holder             | Thermoplastic<br>Color: Black   | 1    |
| 7    | RJ45 Receptacle    | Shell: Copper Alloy; Finish: Ni Plated<br>Housing: Thermoplastic; Color: Black<br>Contacts: Copper Alloy; Finish: Au Plated | 1    |
| 6    | Gasket             | Silicone<br>Color: Black  | 1    |
| 5    | Hex Nut            | Thermoplastic<br>Color: Black   | 1    |
| 4    | EMI Shielded Plate | Copper Alloy<br>Finish: Ni Plated   | 2    |
| 3    | Holder             | Thermoplastic<br>Color: Black   | 1    |
| 2    | RJ45 Receptacle    | Housing: Thermoplastic; Color: Gray<br>Contacts: Copper Alloy; Finish: Au Plated  | 1    |
| 1    | Housing            | Thermoplastic<br>Color: Black   | 1    |
| Item | Part Name          | Material / Finish   | Q'ty |

| TITLE   |      |       |                |                |                | DRAWING NUMBER          |                             |      | REV.  |  |
|---|------|-------|----------------|----------------|----------------|-------------------------|-----------------------------|------|-------|--|
| RJ45 Plastic C3 Shielded Panel Jack Screw Coupler |      |       |                |                |                | RR-125300-30            |                             |      | A1    |  |
| DD NDT SCALE DRAWINGS                             | B    | 1:1   | Joyce 01/07/13 | Lucas 01/07/13 | Ray 01/07/13   | X.X ± 0.5<br>X.XX ± 0.2 | X.XXX ± 0.05<br>ANGLES ± 1° | mm   | 1/1   |  |
| THIRD ANGLE PROJECTION                            | SIZE | SCALE | DRAW / DATE    | CHECK / DATE   | APPROVE / DATE | TOLERANCES              |                             | UNIT | SHEET |  |

  
**USB FIREWIRE.com**

THE INFORMATION CONTAINED HEREIN IS THE PROPRIETARY INFORMATION OF RR BUSINESS VENTURES, LLC. THE POSSESSOR AGREES TO THE FOLLOWING:  
 1. MAINTAIN THIS DOCUMENT IN CONFIDENCE  
 2. NOT TO REPRODUCE OR COPY IT  
 3. NOT TO REVEAL OR PUBLISH IT IN WHOLE OR IN PART

COPYRIGHT © 2019