

Notes: (Unless Otherwise Specified)

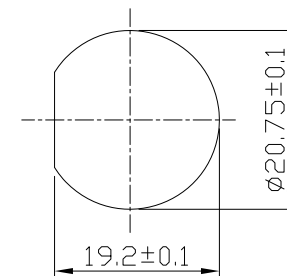
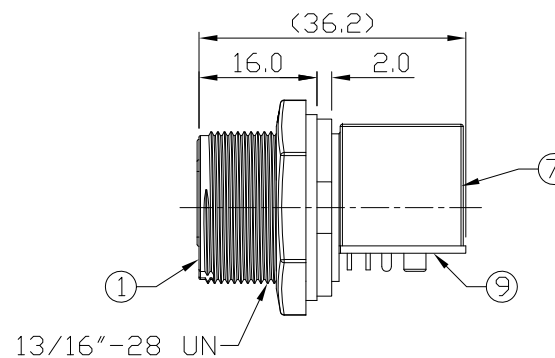
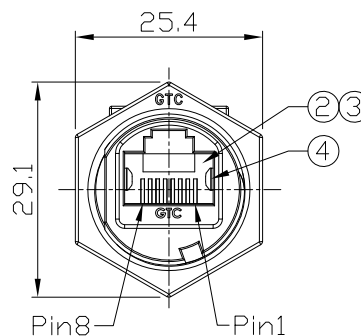
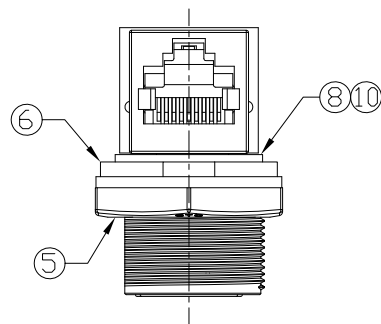
1. Waterproof Rate: IP67.
2. Recommend Panel Thickness: 0.8 to 4.0 mm.
3. Recommend Torque: 14.0~15.0 Kgf-cm.
4. Mating Cap P/N: GT1C5331X2.
5. RoHS Compliant.
6. 產品採用USB 10PCS吸塑盒包裝;並於吸塑盒上蓋貼上標籤.

RR-125300-40\_REV:XX\_QTY:10PCS  
**LOT: XXXX**  
**Made in China**

7. 標籤上的REV: 請依照成品圖面版本.

GTC  
 DOC.CENTER.ISSUE  
 AUG.05.2013  
 ONLY FOR  
 RELEASE

10	Glue	Epoxy Color: Black	
9	PCB	FR-4 Color: -	1
8	Holder	Thermoplastic Color: Black	1
7	RJ45 Receptacle	Shell: Copper Alloy; Finish: Ni Plated Housing: Thermoplastic; Color: Black Contacts: Copper Alloy; Finish: Au Plated	1
6	Gasket	Silicone Color: Black	1
5	Hex Nut	Thermoplastic Color: Black	1
4	EMI Shielded Plate	Copper Alloy Finish: Ni Plated	2
3	Holder	Thermoplastic Color: Black	1
2	RJ45 Receptacle	Housing: Thermoplastic; Color: Gray Contacts: Copper Alloy; Finish: Au Plated	1
1	Housing	Thermoplastic Color: Black	1
Item	Part Name	Material / Finish	Q'ty



Recommend  
 Panel Cut-Out

TITLE RJ45 Plastic C3 Shielded Panel Jack Screw With Receptacle Coupler 90°						DRAWING NUMBER RR-125300-40			REV. A0	
	B	1:1	Joyce 08/05/13	Lucas 08/05/13	Ray 08/05/13	X.X ± 0.5 X.XX ± 0.2	X.XXX ± 0.05 ANGLES ± 1°	mm	1/1	
THIRD ANGLE PROJECTION	SIZE	SCALE	DRAW / DATE	CHECK / DATE	APPROVE / DATE	TOLERANCES		UNIT	SHEET	

**USB FIREWIRE.com**

THE INFORMATION CONTAINED HEREIN IS THE PROPRIETARY INFORMATION OF RR BUSINESS VENTURES, LLC. THE POSSESSOR AGREES TO THE FOLLOWING

1. MAINTAIN THIS DOCUMENT IN CONFIDENCE
2. NOT TO REPRODUCE OR COPY IT
3. NOT TO REVEAL OR PUBLISH IT IN WHOLE OR IN PART

COPYRIGHT © 2019