

1

2

3

4

Notes: (Unless Otherwise Specified)

- 1. Waterproof Rate: IP68.
- 2. Recommend Panel Thickness: 0.8 to 4.0 mm.
- 3. Recommend Torque: 9.0~10.0 Kgf-cm.
- 4. Mating Cap P/N: GT1C5221X2.
- 5. RoHS Compliant.
- 6. 產品採用USB 10PCS吸塑盒包裝;並於吸塑盒上蓋貼上標籤.

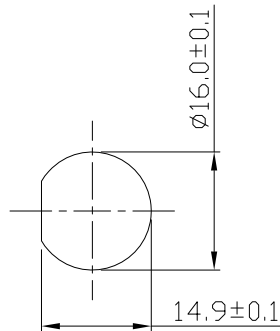
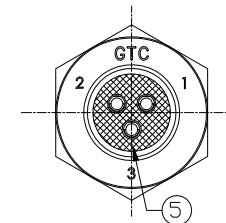
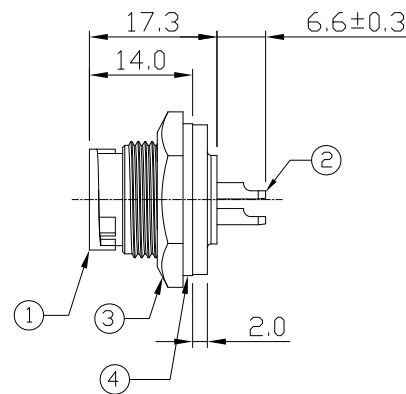
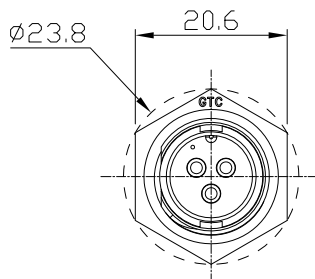
RR-152210-03030_REV:XX_QTY:10PCS

LOT: XXXX

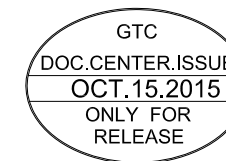
Made in China

7. 標籤上的REV: 請依照成品圖面版本.

REV	ECN#	DESCRIPTION OF REVISION	DRAW BY DATE	CHECK BY DATE	APPROVE BY DATE
A0		Mass Production	Joyce 10/14/15	Lucas 10/14/15	Ray 10/14/15



Recommend Panel Cut-Out



5	Glue	Epoxy Color: Black	
4	Gasket	Silicone Color: Black	1
3	Hex Nut	Thermoplastic Color: Black	1
2	Contacts	Copper Alloy Finish: Au Plated	3
1	Housing	Thermoplastic Color: Black	1
Item	Part Name	Material/Finish	Q'ty

TITLE	DRAWING NUMBER	REV.
C2 10A 3P Panel Male Solder Lock	RR-152210-03030	A0

THIRD ANGLE PROJECTION	SIZE	SCALE	DRAW / DATE	CHECK / DATE	APPROVE / DATE	TOLERANCES	UNIT	SHEET
	B	1:1	Joyce 10/14/15	Lucas 10/14/15	Ray 10/14/15	X.X ± 0.5 X.XX ± 0.2	mm	1/1
						X.XXX ± 0.05 ANGLES ± 1°		

USB FIRE WIRE.com

THE INFORMATION CONTAINED HEREIN IS PROPRIETARY AND CONFIDENTIAL TO RR BUSINESS VENTURES, LLC. THE POSSESSOR AGREES TO THE FOLLOWING

1. MAINTAIN THIS DOCUMENT IN CONFIDENCE
2. NOT TO REPRODUCE OR COPY IT
3. NOT TO REVEAL OR PUBLISH IT IN WHOLE OR PART

1

2

3

4