

Notes: (Unless Otherwise Specified)

- 1. Waterproof Rate: IP67.
- 2. Suitable Cable OD=5.0mm To 6.0mm.
- 3. Recommend Cover Torque: 6~7 Kgf-cm.
- 4. Recommend Gland Nut Torque: 9~10 Kgf-cm.
- 5. RoHS Compliant.
- 6. 產品採用無Logo PE袋單PCS包裝, 並將標籤貼於袋外

RR-153264-23030_REV/XX_QTY:1PCS
LOT: XXXX
Made in China

- 7. 每2PCS產品再用無Logo PE袋包裝, 並將標籤貼於袋外

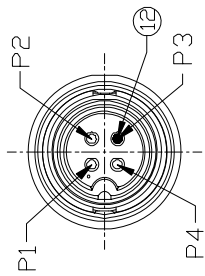
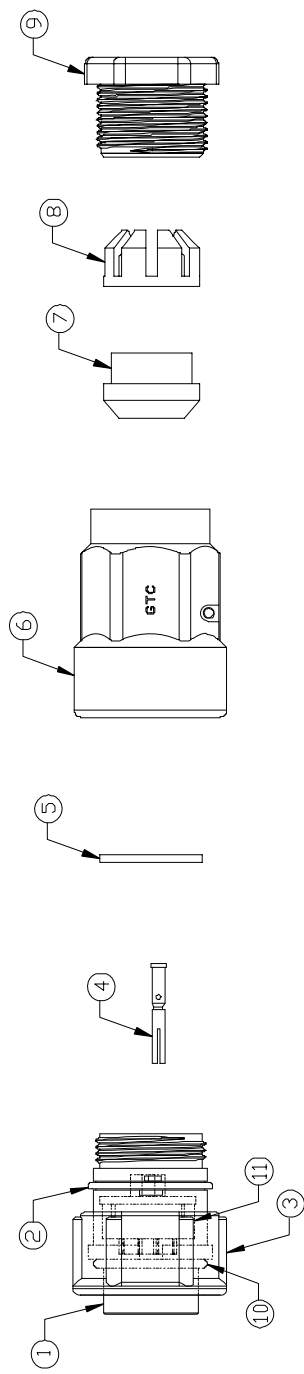
RR-153264-23030_REV/XX_QTY:2PCS
LOT: XXXX
Made in China

- 8. 標籤上的REV, 請依照成品圖面版本.
- 9. 不可使用夾鍊袋

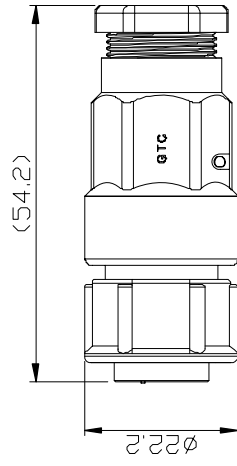
REV	ECN#	DESCRIPTION OF REVISION	DRAW BY DATE	CHECK BY DATE	APPROVE BY DATE
A0		Mass Production	Joyce 10/14/15	Lucas 10/14/15	Ray 10/14/15

D

D



Pin Assignment



GTC
 DOC.CENTER.ISSUE
 OCT.15.2015
 ONLY FOR
 RELEASE

Item	Part Name	Material / Finish	Qty
12	Gland Pin	Thermoplastic Color: Black	2
11	Base	Thermoplastic Color: Black	1
10	D-Ring	Silicone Color: Black	1
9	Gland Nut	Thermoplastic Color: Black	1
8	Cage	Thermoplastic Color: White	1
7	Gland	Silicone Color: Green	1
6	Cover	Thermoplastic Color: Black	1
5	Gasket	Silicone Color: Black	1
4	Contacts	Copper Alloy Finish: Au Plated	3
3	Lock Nut	Thermoplastic Color: Black	1
2	D-Ring	Silicone Color: Red	1
1	Housing	Thermoplastic Color: Black	1
Material / Finish			0'ty

A

TITLE		C3 10A 3P Field Installable Cable End Female Crimp Lock		DRAWING NUMBER	RR-153264-23030	REV.	A0
DO NOT SCALE DRAWINGS	B	1:1	Joyce 10/14/15	Lucas 10/14/15	Ray 10/14/15	XX ± 0.2 XX ± 0.2	X.XXX ± 0.05 ANGLES ± 1°
THIRD ANGLE PROJECTION	SIZE	SCALE	DRAW / DATE	CHECK / DATE	APPROVE / DATE	TOLERANCES	UNIT
							SHEET

A

www.USBFireWire.com
 NOTICE OF PROPRIETARY PROPERTY:
 THE INFORMATION CONTAINED HEREIN IS THE PROPRIETARY PROPERTY OF USBFIREWIRE.COM THE POSSESSOR AGREES TO THE FOLLOWING:
 (A) TO MAINTAIN THIS DOCUMENT IN CONFIDENCE
 (B) TO NOT REPRODUCE, COPY, OR PUBLISH IT IN WHOLE OR PART
 (C) ALL RIGHTS RESERVED