

1

2

3

4

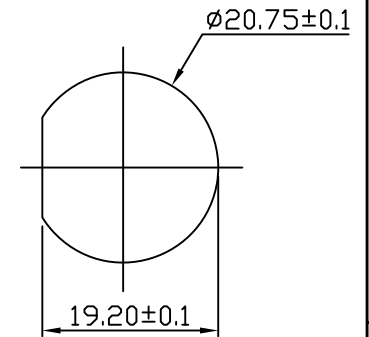
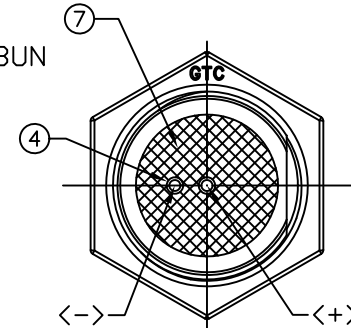
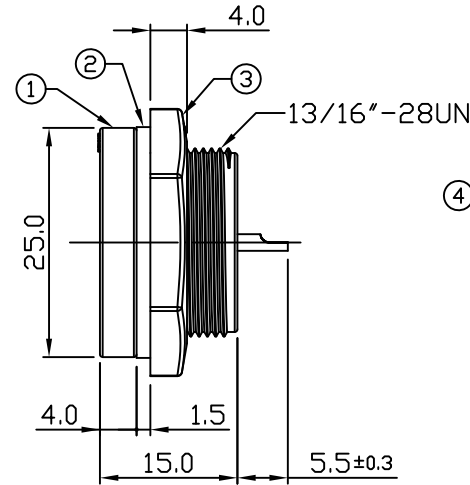
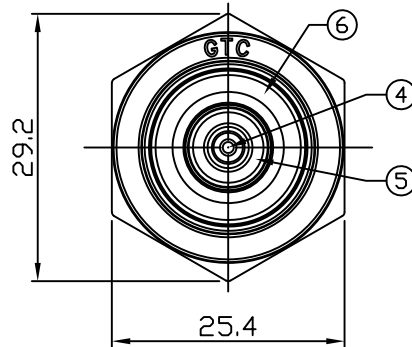
Notes: (Unless Otherwise Specified)

- 1. Waterproof Rate : IP67
- 2. Recommend Panel Thickness: 0.8 To 4.0 mm.
- 3. Recommend Torque: 14~15 Kgf-cm.
- 4. DWV: 500 Vrms
- 5. Rated Voltage: 30V AC/DC
- 6. Insulation Resistance: 100 MΩ MIN.
- 7. RoHS Compliant.
- 8. 產品採用USB 10PCS吸塑盒包裝,並於吸塑盒上蓋貼上標籤.

REV	ECN#	DESCRIPTION OF REVISION	DRAW BY DATE	CHECK BY DATE	APPROVE BY DATE
01		PRELIMINARY	Hank 05/06/19	Lucas 05/06/19	Ray 05/06/19

RR-193000-02020_REV:XX_QTY:10PCS
 LOT: XXXX
 Made in China

9. 標籤上的REV: 請依照成品圖面版本.



Recommend Panel Cut-Out



7	Glue	Epoxy Color: Black	
6	Metal Ring	SUS430 Finish: -	1
5	Contact Ring	Copper Alloy Finish: Au Plated	1
4	Contacts	Copper Alloy Finish: Au Plated	2
3	Hex Nut	Thermoplastic Color: Black	1
2	Gasket	Silicone Color: Black	1
1	Housing	Thermoplastic Color: Black	1
Item	Part Name	Material / Finish	Q'ty

TITLE						DRAWING NUMBER			REV.	
5A 2 Contacts Panel Solder						RR-193000-02020			01	
	B	1:1	Hank 05/06/19	Lucas 05/06/19	Ray 05/06/19	X.X ± 0.5 X.XX ± 0.2	X.XXX ± 0.05 ANGLES ± 1°	mm	1/1	
THIRD ANGLE PROJECTION	SIZE	SCALE	DRAW / DATE	CHECK / DATE	APPROVE / DATE	TOLERANCES		UNIT	SHEET	

USB FIREWIRE.com

THE INFORMATION CONTAINED HEREIN IS THE PROPRIETARY INFORMATION OF RR BUSINESS VENTURES, LLC. THE POSSESSOR AGREES TO THE FOLLOWING

1. MAINTAIN THIS DOCUMENT IN CONFIDENCE
2. NOT TO REPRODUCE OR COPY IT
3. NOT TO REVEAL OR PUBLISH IT IN WHOLE OR IN PART

COPYRIGHT © 2019

1

2

3

4