

1

2

3

4

Notes: (Unless Otherwise Specified)

- 1. Waterproof Rate: IP68.
- 2. RoHS Compliant.
- 3. 產品採用無Logo PE袋單PCS包裝,並將標籤貼於袋外.

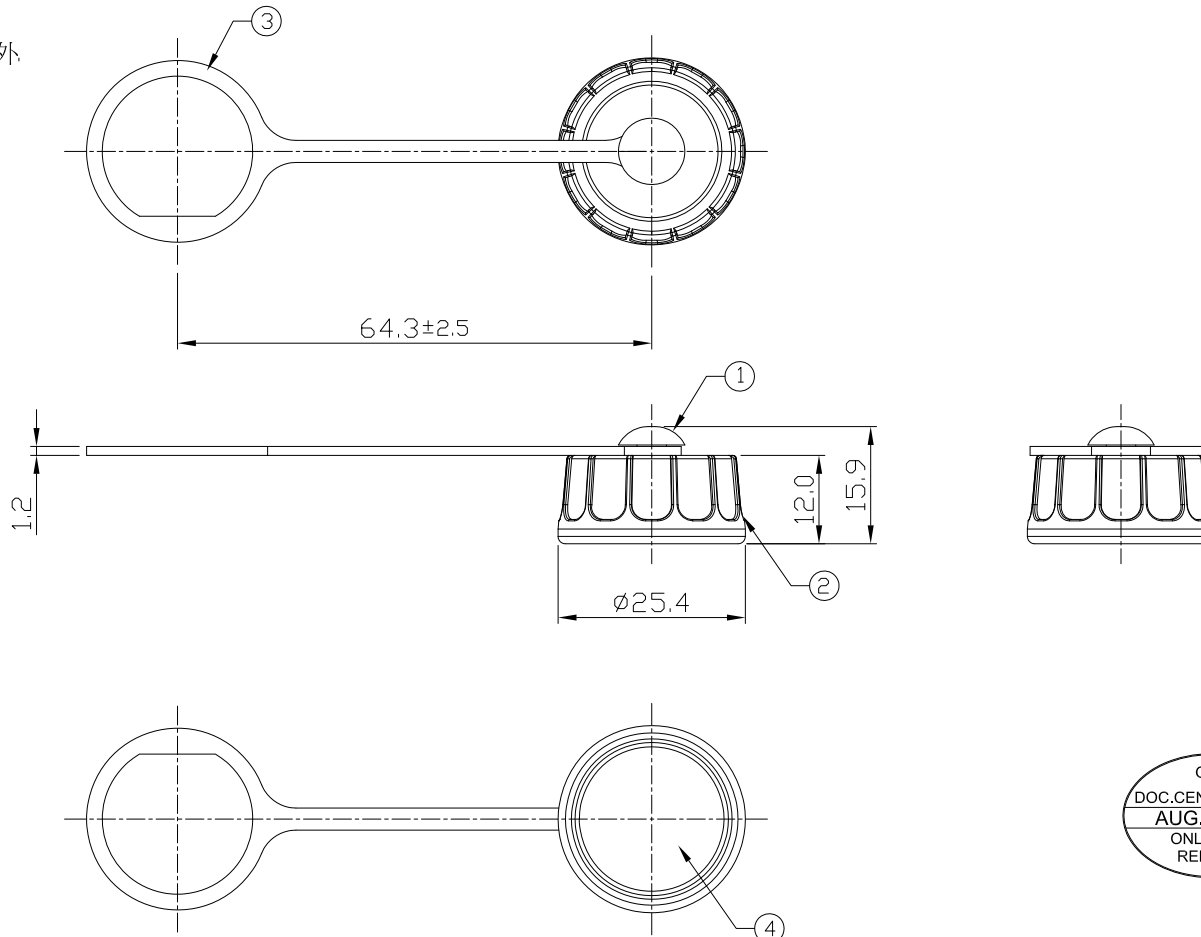
RR-1C533122\_REV:XX\_QTY:1PCS  
**LOT: XXXX**  
**Made in China**

- 4. 每25PCS產品再用無Logo PE袋包裝,並將標籤貼於袋外.

RR-1C533122\_REV:XX\_QTY:25PCS  
**LOT: XXXX**  
**Made in China**

- 5. 標籤上的REV: 請依照成品圖面版本.
- 6. 不可使用夾鍊袋

REV	ECN#	DESCRIPTION OF REVISION	DRAW BY DATE	CHECK BY DATE	APPROVE BY DATE
A2	ECN-200629	Change The Material Of Rubber Chain, TPE → NBR.	Aileen 08/11/20	Lucas 08/11/20	Ray 08/11/20



Item	Part Name	Material / Finish	Q'TY
4	Rubber Pad	Silicone Color: Black	1
3	Rubber Chain	NBR Color: Black	1
2	Screw Cap	Thermoplastic Color: Black	1
1	Plastic Rivet	Thermoplastic Color: Black	1

AA

TITTLE Cap Plastic For C3 Screw Panel With Rubber Chain						DRAWING NUMBER RR-1C533122			REV. A2	
THIRD ANGLE PROJECTION	SIZE	SCALE	DRAW / DATE	CHECK / DATE	APPROVE / DATE	TOLERANCES		UNIT	SHEET	
	B	1:1	Joyce 02/03/12	Lucas 02/03/12	Ray 02/03/12	X.X ± 0.5 X.XX ± 0.2	X.XXX ± 0.05 ANGLES ± 1°	mm	1/1	

**USB FIRE WIRE**.com

THE INFORMATION CONTAINED HEREIN IS PROPRIETARY AND CONFIDENTIAL TO RR BUSINESS VENTURES, LLC. THE POSSESSOR AGREES TO THE FOLLOWING

1. MAINTAIN THIS DOCUMENT IN CONFIDENCE
2. NOT TO REPRODUCE OR COPY IT
3. NOT TO REVEAL OR PUBLISH IT IN WHOLE OR PART

1

2

3

4