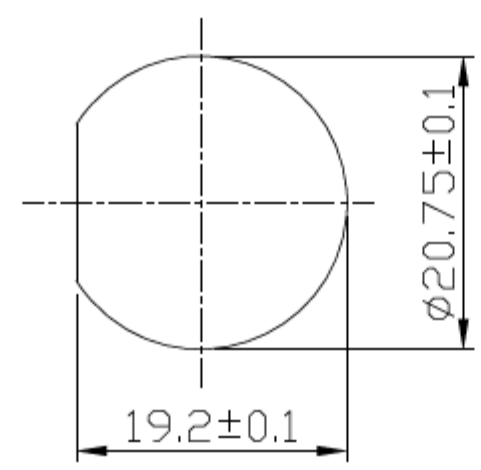
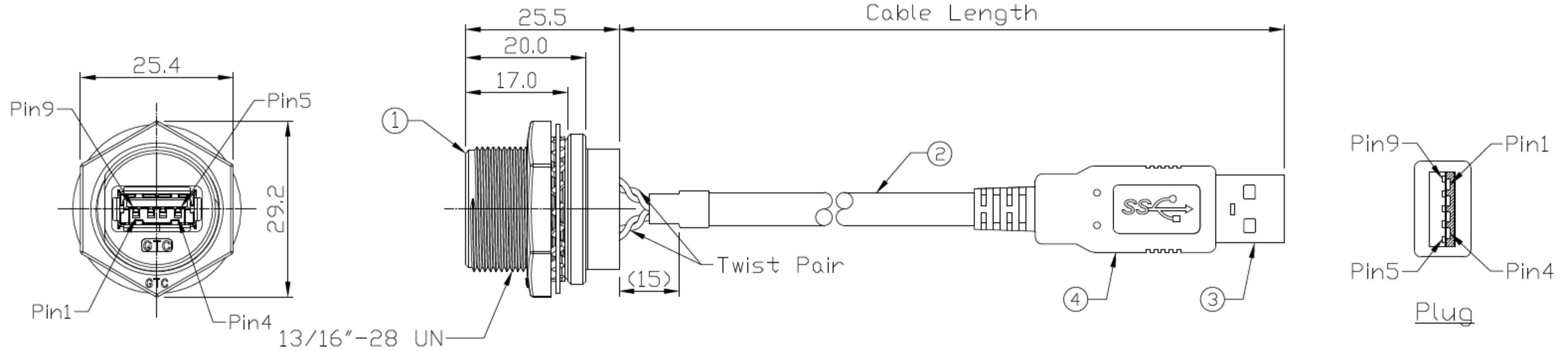


Notes: (Unless Otherwise Specified)

1. Waterproof Rate: IP68.
2. Recommend Panel Thickness: 0.8 to 6.0 mm.
3. Recommend Torque: 19~20 Kgf-cm.
4. Mating Cap P/N: GT2C213012/GT1C5331X2.
5. RoHS Compliant.

REV	ECN#	DESCRIPTION OF REVISION	DRAW BY DATE	CHECK BY DATE	APPROVE BY DATE
01			Lucas 09/23/15	Lucas 09/23/15	Ray 09/23/15



Recommend Panel Cut-Out

Conn.	Color	Plug
1	Red	1
2	White	2
3	Green	3
4	Black	4
5	Blue	5
6	Yellow	6
7	Drain	7
8	Purple	8
9	Orange	9
Shell	Braid	Shell

Wiring Diagram

Part No.	Cable Length	Tol.
GT218300-02-02	2000 mm	±100
GT218300-02-01	1000 mm	±50
GT218300-02-Z9	900 mm	±40
GT218300-02-Z8	800 mm	±40
GT218300-02-Z7	700 mm	±40
GT218300-02-Z6	600 mm	±40
GT218300-02-Z5	500 mm	±40
GT218300-02-Z4	400 mm	±20
GT218300-02-Z3	300 mm	±20
GT218300-02-Z2	200 mm	±10
GT218300-02-Z1	100 mm	±10

Item	Part Name	Material / Finish	Qty
4	Over Mold	PVC Color: Black	1
3	USB-A 3.0 Plug	Housing: Thermoplastic, Color: Blue Contacts: Copper Alloy, Finish: Au Plated Shell: SPCC, Finish: Ni Plated	1
2	Cable	UL2725 (1P*28AWG+EAM)*2+(1PR*28AWG+A)+2C*22AWG+AB 85% Color: Black, OD=5.5mm	1
1	USB-A 3.0 C3 Panel Jack	GT Contact P/N: GT218300-01-XX	1

TITLE USB-A 3.0 Metal C3 Panel Jack Screw With USB-A 3.0 Plug					DRAWING NUMBER RR-218300-02-XX			REV. 01	
THIRD ANGLE PROJECTION		SIZE B	SCALE 1:1	DRAW / DATE Lucas 09/23/15	CHECK / DATE Lucas 09/23/15	APPROVE / DATE Ray 09/23/15	TOLERANCES X.X ± 0.5 X.XX ± 0.2	UNIT mm	SHEET 1/1

  
**USB FIREWIRE.com**

THE INFORMATION CONTAINED HEREIN IS THE PROPRIETARY INFORMATION OF RR BUSINESS VENTURES, LLC. THE POSSESSOR AGREES TO THE FOLLOWING:

1. MAINTAIN THIS DOCUMENT IN CONFIDENCE
2. NOT TO REPRODUCE OR COPY IT
3. NOT TO REVEAL OR PUBLISH IT IN WHOLE OR IN PART

COPYRIGHT © 2019